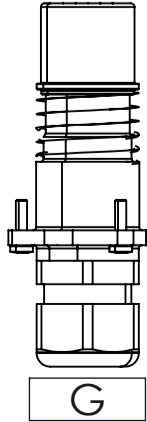
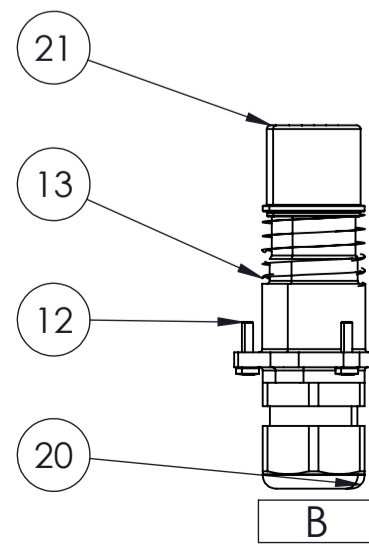
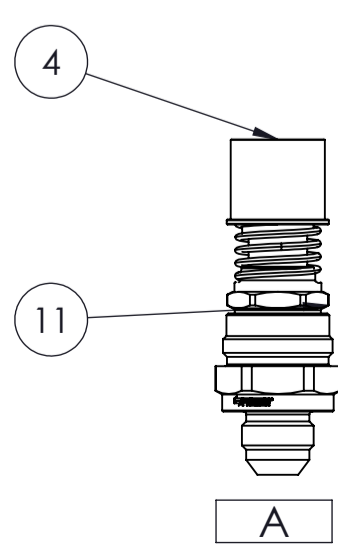
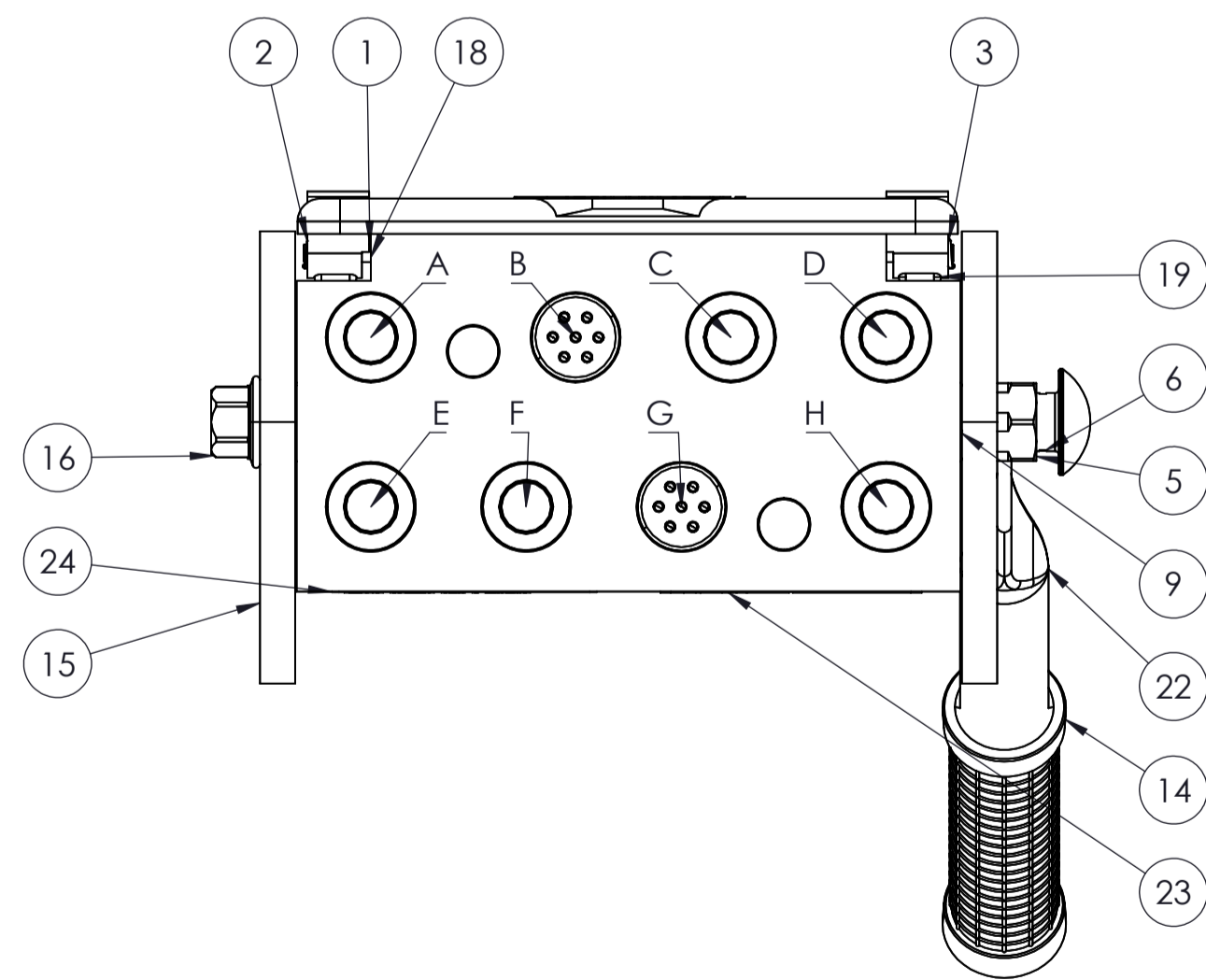
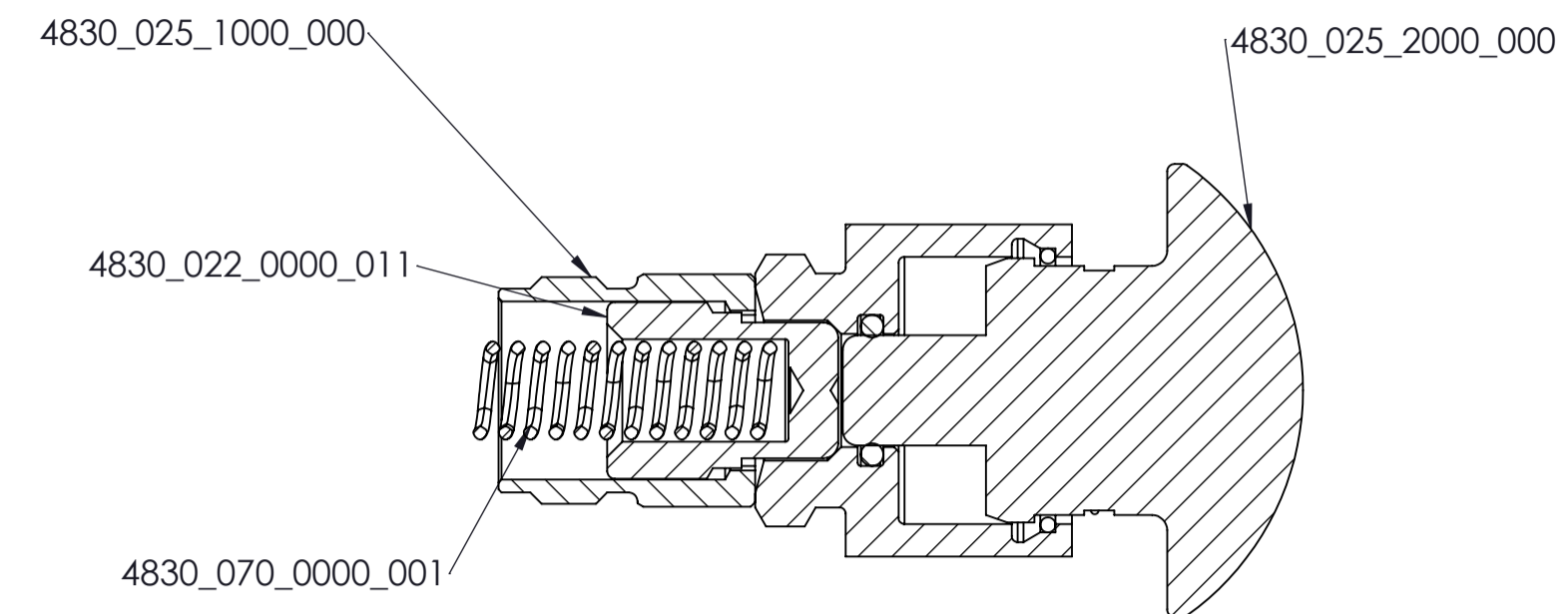
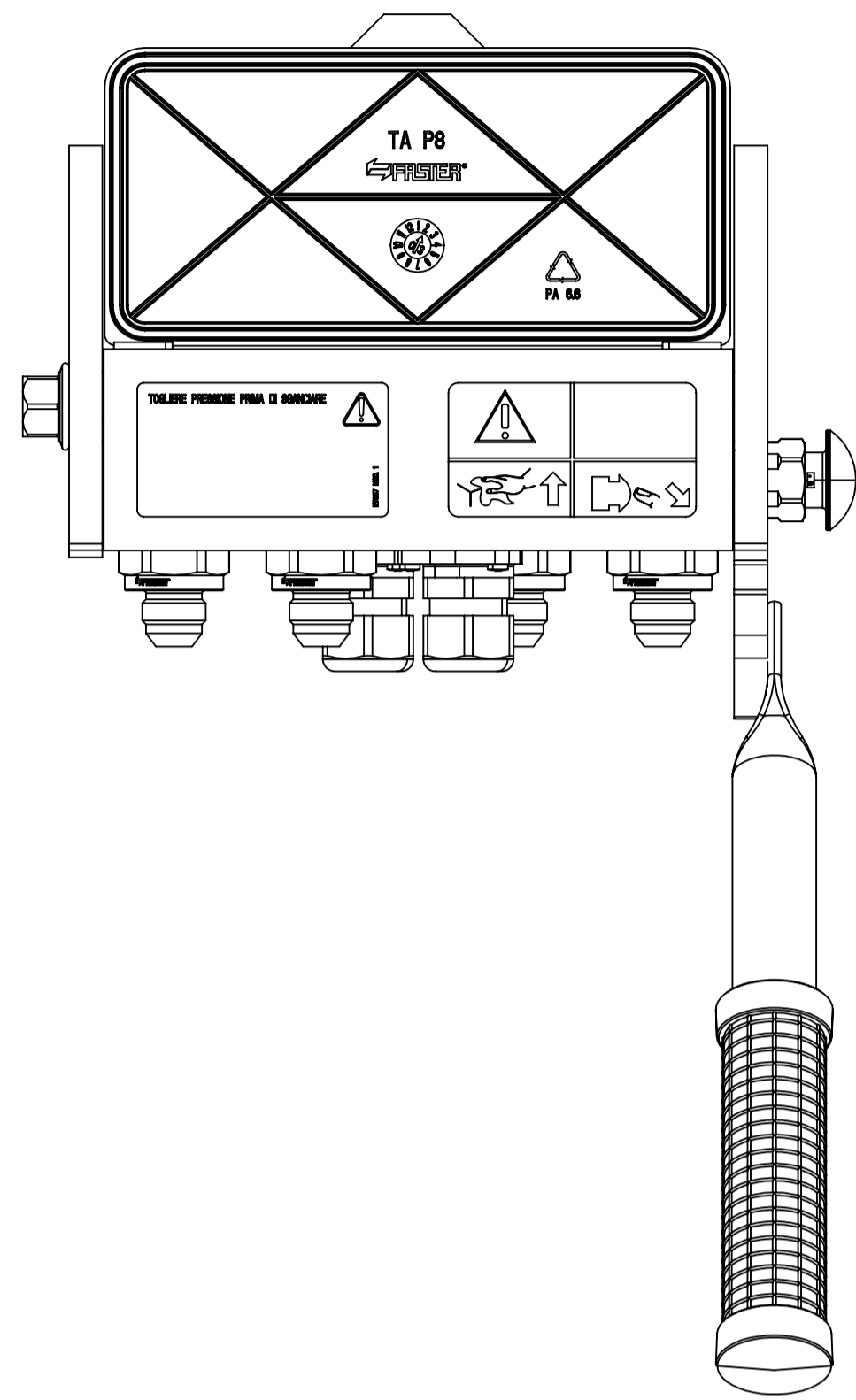


FOR NOT SPECIFIED  
TIGHTENING TORQUES  
SEE NPF 086

LUBRICATE WITH " MOLY-TEF "  
THE COMPONENT : N° 17



|      |      |                                       |                 |     |
|------|------|---------------------------------------|-----------------|-----|
| 24   | 1    | "ETICHETTA"TOGLI PRESSIONE"X PIASTRA" | ET007           |     |
| 23   | 1    | STICKER MULTIFASTER SICURA DX         | ET012           |     |
| 22   | 1    | ASSIEME LEVA DESTRA P808              | 48500242000000  |     |
| 21   | 2    | CURSORE SPINA ELETTRICA BASE 08 7     | 48500070000000  |     |
| 20   | 2    | SP.EL.BASE08-7 POLI X P.FISSA         | CORSPEL08-7 F   |     |
| 19   | 1    | TAPPO MULTIFASTER P808                | 485000100001005 |     |
| 18   | 1    | PIASTRA FISSA P808                    | 48500200000020  |     |
| 17   | 2    | OR NITRILE 80° SHORE                  | OR 2,62x17,86   |     |
| 16   | 1    | DADO AUTOBLOCCANTE M12 ISO 7044       | 15400800012000  |     |
| 15   | 1    | CAMMA DX/SX P808-P608                 | 48500240000020  |     |
| 14   | 1    | MANDOPOLA MULTIFASTER 25 MM. TONDA    | 48500240000012  |     |
| 13   | 2    | MOLLA CURSORE ESTERNO FFH 08          | 42410720000200  |     |
| 12   | 6    | VITI AUTOFIL.TRILOBATE M3X12 CRDCE    | 48300440000000  |     |
| 11   | 6    | FEMMINA X BLOCCO 2FFN12               | 2FFNB1213/12SF  | 30  |
| 10   | 6    | MOLLA CURSORE ESTERNO 2FFN12.F AI     | 41420721000300  |     |
| 9    | 1    | MOLLA SICURA PIASTRE P5               | 48300700000001  |     |
| 8    | 1    | NOTTOLINO SICURA P5 STAMPATO A FREDDO | 48300220000011  |     |
| 7    | 1    | BOCCOLA X NOTTOLINO SICURA P5         | 48300251000000  |     |
| 6    | 1    | PULS SIC DELRIN ROSSO UV RES NEW      | 48300252000000  |     |
| 5    | 1    | SICURA NUOVA X PIASTRA P5, ECC.       | SICURA P5       |     |
| 4    | 6    | CURSORE ESTERNO 2FFN12 ACCIAIO        | 43400140000000  |     |
| 3    | 1    | MOLLA DESTRA X SUPPORTI/PB06 AISI     | 48300010005301  |     |
| 2    | 1    | MOLLA SINISTRA X SUPPORTI/PB06 AISI   | 48300010005300  |     |
| 1    | 2    | SPINA X TAPPO AUTOMATICO P6           | 48300010004000  |     |
| PQS. | Q.TY | DESCRIPTION                           | DRAWING N°      | HEX |

**Faster**  
RIVOLTA D'ADDA-CR-ITALY

THIS DRAWING IS EXCLUSIVE PROPERTY OF FASTER S.p.A.  
ANY UNAUTHORIZED COPY AND/OR USE ARE STRICTLY PROHIBITED.

|       |              |   |                                       |
|-------|--------------|---|---------------------------------------|
| DRAWN | CONFIGURATOR | GENERAL TOLERANCES<br>(UNLESS OTHERWISE SPECIFIED)<br>LINEAR DIMENSIONS ±0.1<br>ANGULAR DIMENSIONS ±1°<br>RADIUS AND CHAMFER ±0.05<br>SHARP EDGES NOT DIMENSIONED<br>RADIUS OR CHAMFER MAX. 0.2 | DESCRIPTION<br>MULTIFASTER FIXED PART |
| DATE  | 27/04/2026   |   |                                       |
| SIZE  | A1           | DIMENSION   | SYMBOL                                |
|       |              | CRITICAL  | ⊕                                     |
|       |              | IMPORTANT   | ⊕                                     |
|       |              | SECONDARY   | NO SYMBOL                             |
|       |              |   | PART NUMBER :<br>MF-P808 F-005488-F   |
|       |              |   | DRAWING N°<br>DB_MF-P808 F-005488-F   |
|       |              |   | REVISION<br>A   0                     |