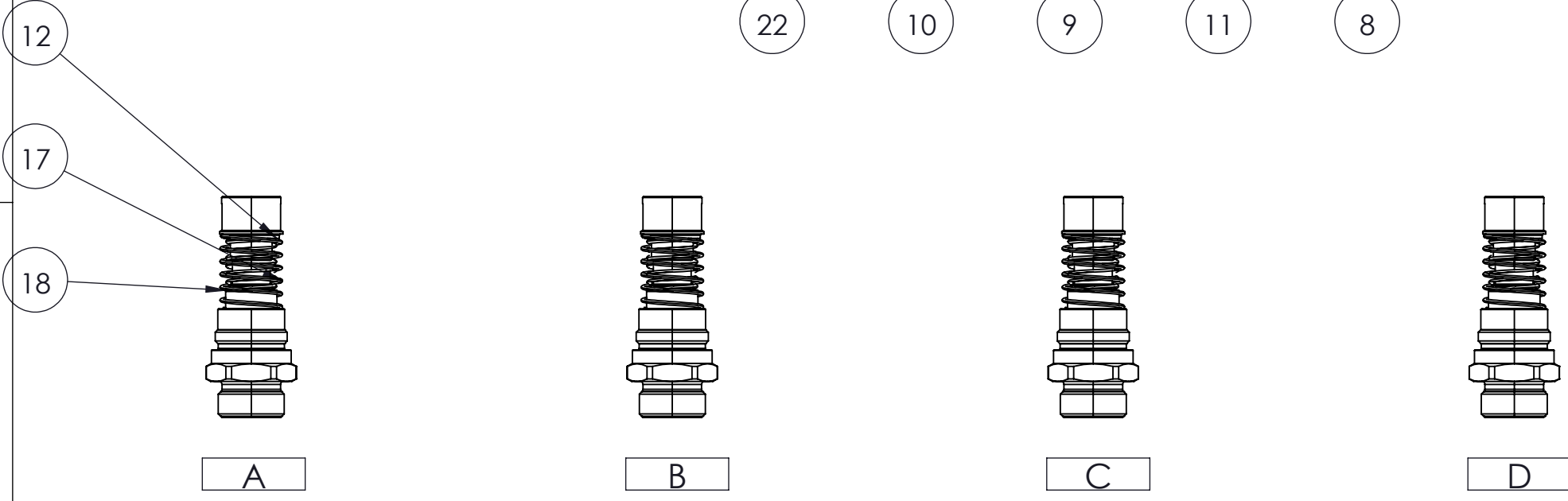
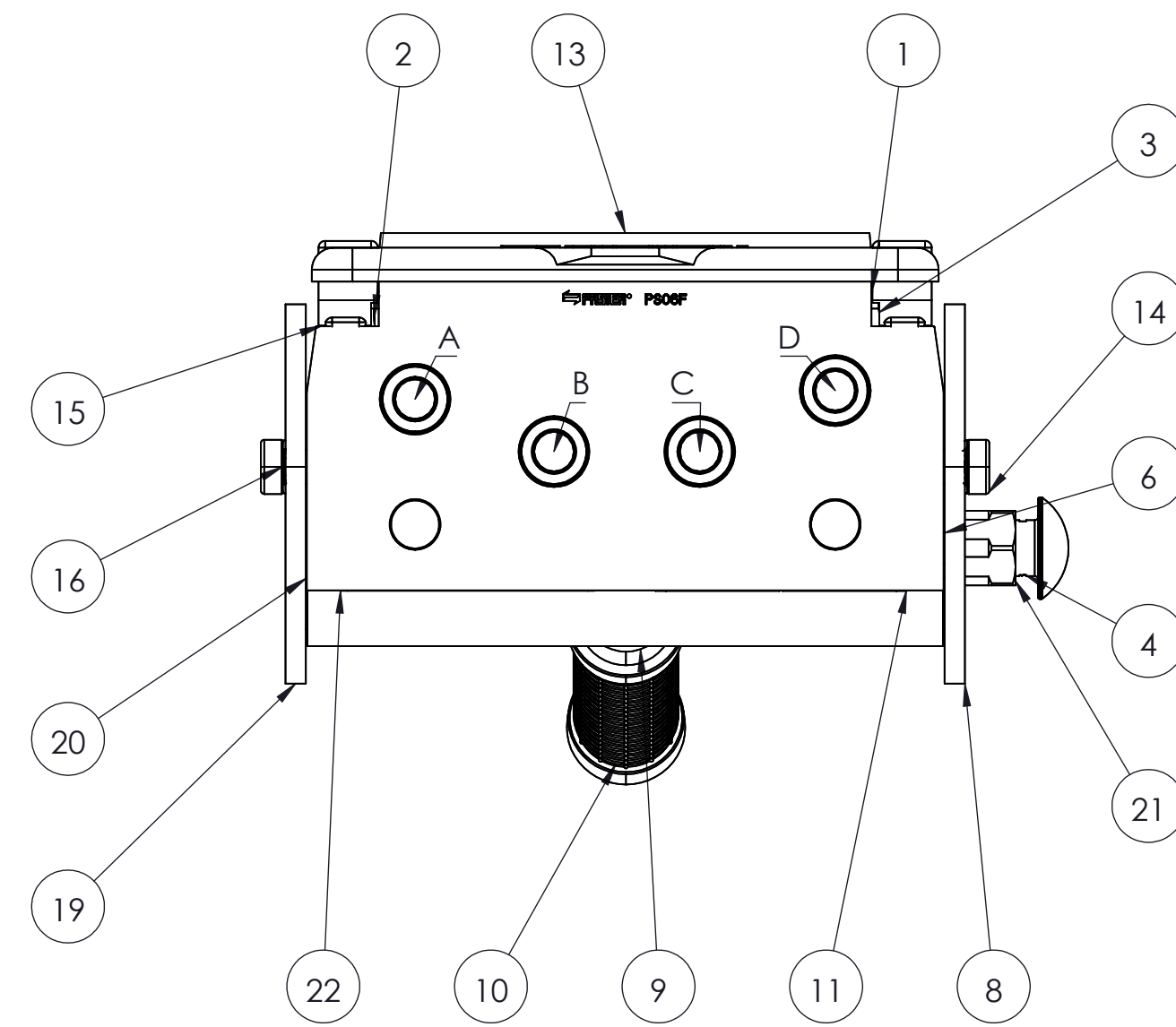
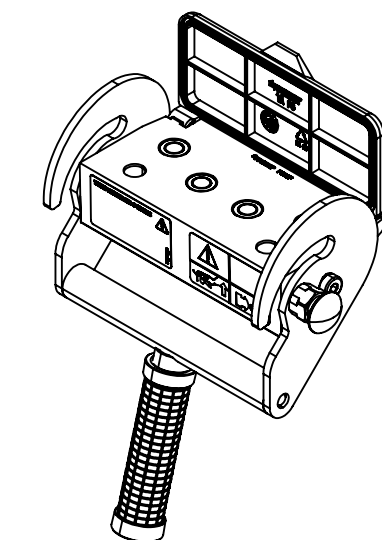
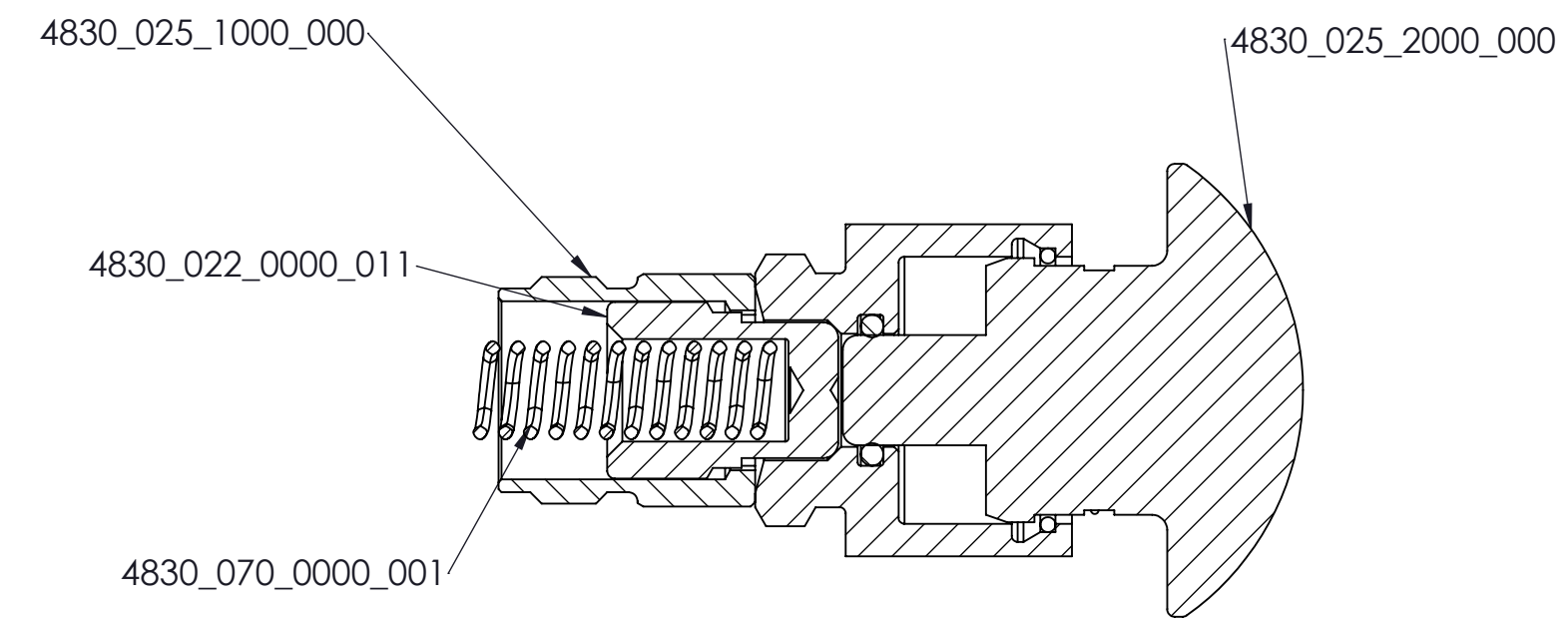
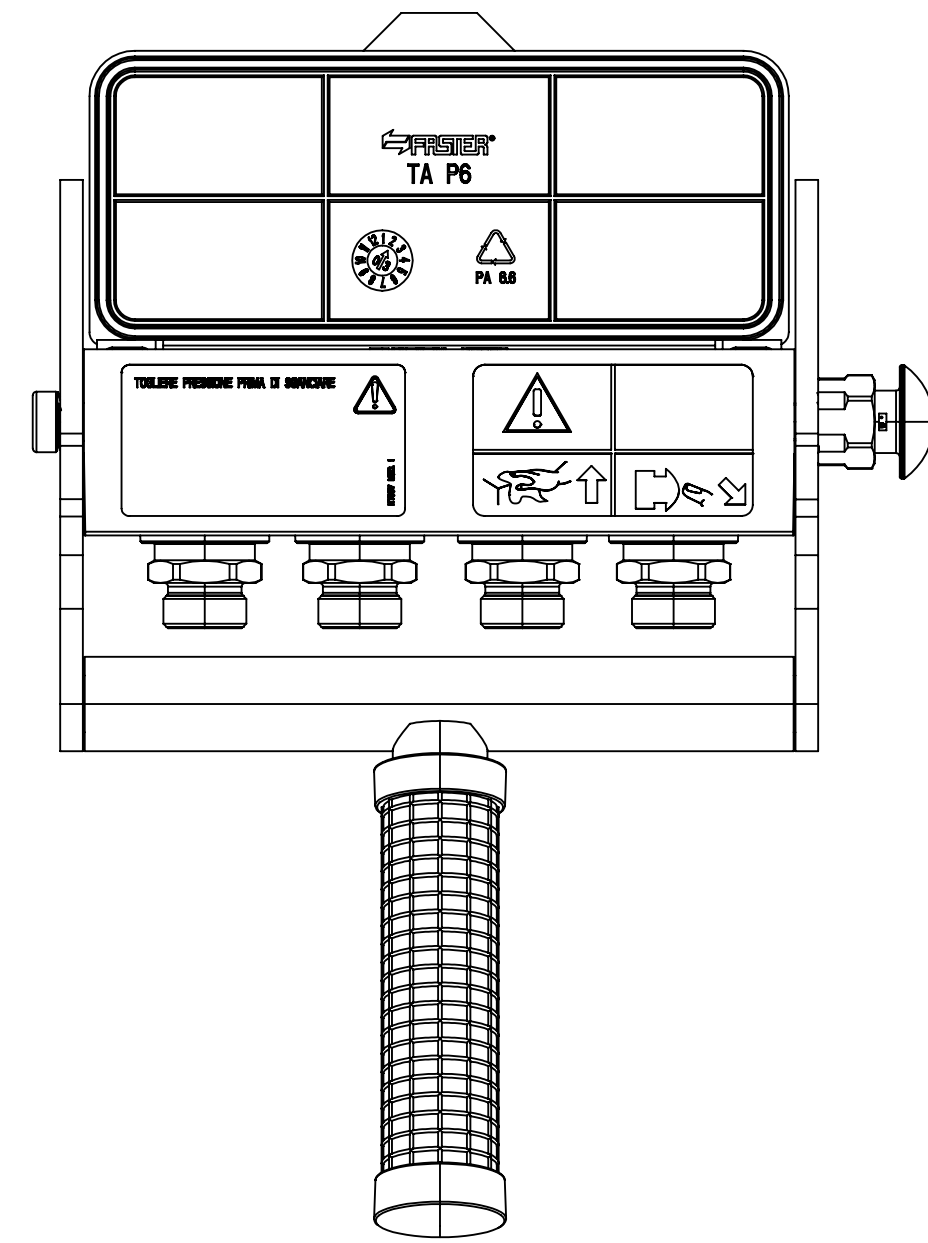


FOR NOT SPECIFIED
TIGHTENING TORQUES
SEE NPF 086



22	1	"ETICHETTA" "TGLI. PRESSIONE" "X PIASTRA"	ET007	
21	1		48300250000001	
20	1	ND_BDM	48300270000001	
19	1	ND_BDM	48300240005020	
18	4	GRUPPO INTERNO 06 PER PIASTRA	2FFNB38-2/22 F	27
17	4	MOLLA CURSORE ESTERNO FFH 06	41320720000300	
16	2	ANELLO DI COMPENSAZIONE	00483171000000	
15	1	TAPPO MULTIFASTER PS06	48300010001004	
14	2	VITE M8X20,5 DEFORMATA A FREDDO	48300133000020	
13	1	PIAS.FIS.PS06 SIC.SX/DX DA PRES.FUS	48320200003001	
12	4	CURSORE ESTERNO 2FFNB38 ACCIAIO	41320140000000	
11	1	STICKER MULTIFASTER SICURA DX	ET012	
10	1	MANDPOLA MULTIFASTER 25 MM. TONDA	48500240000012	
9	1	ND_BDM	48300240005011	
8	1	ND_BDM	48300240005010	
7	1	MOLLA SICURA PIASTRE P5	48300700000001	
6	1	NOTTOLINO SICURA P5 STAMPATO A FREDDO	48300220000011	
5	1	BOCCOLA X NOTTOLINO SICURA P5	48300251000000	
4	1	PULS SIC DELRIN ROSSO UV RES NEW	48300252000000	
3	1	MOLLA DESTRA X SUPPORTI/PB06 AISI	48300010005301	
2	1	MOLLA SINISTRA X SUPPORTI/PB06 AISI	48300010005300	
1	2	SPINA X TAPPO AUTOMATICO P6	48300010004000	
PQS.	Q.TY	DESCRIPTION	DRAWING N°	HEX

		<small>THIS DRAWING IS EXCLUSIVE PROPERTY OF FASTER S.p.A. ANY UNAUTHORIZED COPY AND/OR USE ARE STRICTLY PROHIBITED.</small>	
<small>GENERAL TOLERANCES (UNLESS OTHERWISE SPECIFIED):</small> <small>LINEAR DIMENSIONS: 0.1</small> <small>ANGULAR DIMENSIONS: 1°</small> <small>RADIUS AND CHAMFER: 0.25</small> <small>SHARP EDGES: NOT DIMENSIONED</small> <small>RADIUS OR CHAMFER: MAX. 0.2</small>	<small>DESCRIPTION</small> MULTIFASTER FIXED PART	<small>PART NUMBER:</small> MF-PS06 F-003960-F	
<small>DRAWN</small> CONFIGURATOR <small>DATE</small> 25/11/2024 <small>SIZE</small> A1 <small>DIM. MILLIMETERS</small>	<small>CRITICAL</small> <small>IMPORTANT</small> <small>SECONDARY</small>	<small>SYMBOL</small> 	<small>DRAWING N°</small> DB_MF-PS06 F-003960-F <small>REVISION</small> A 0