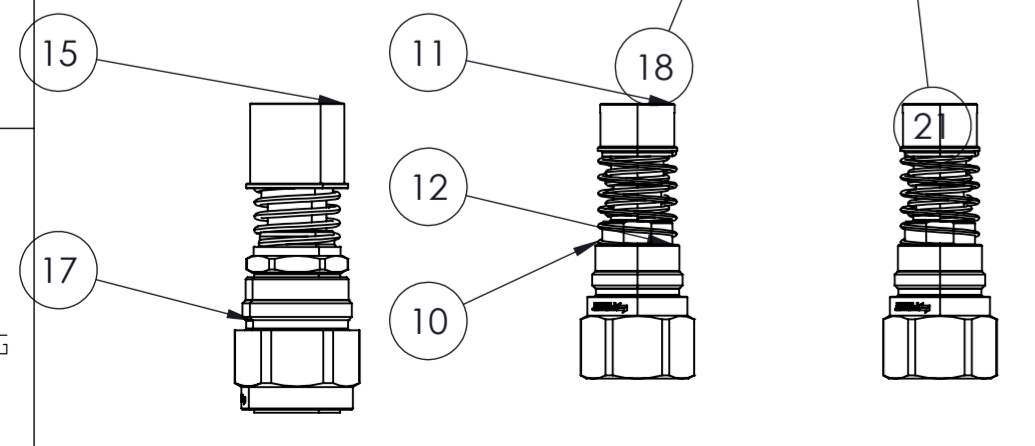
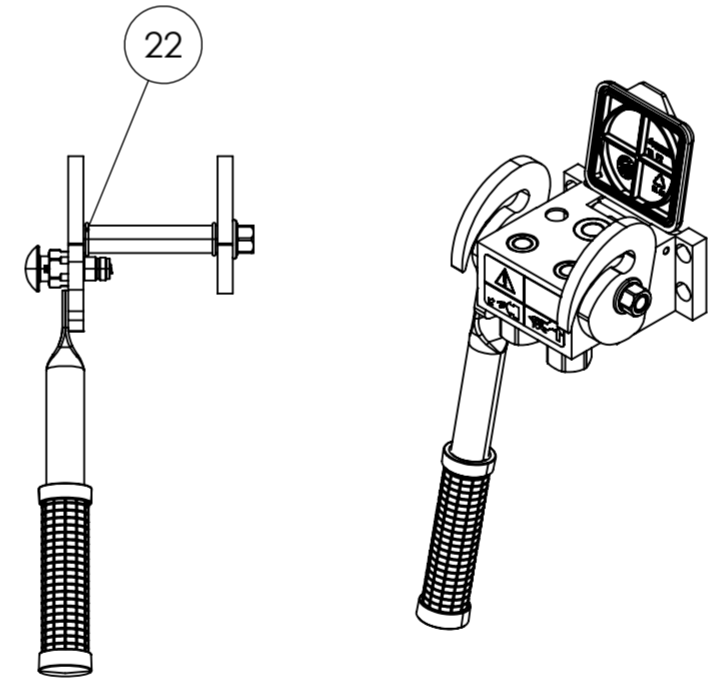
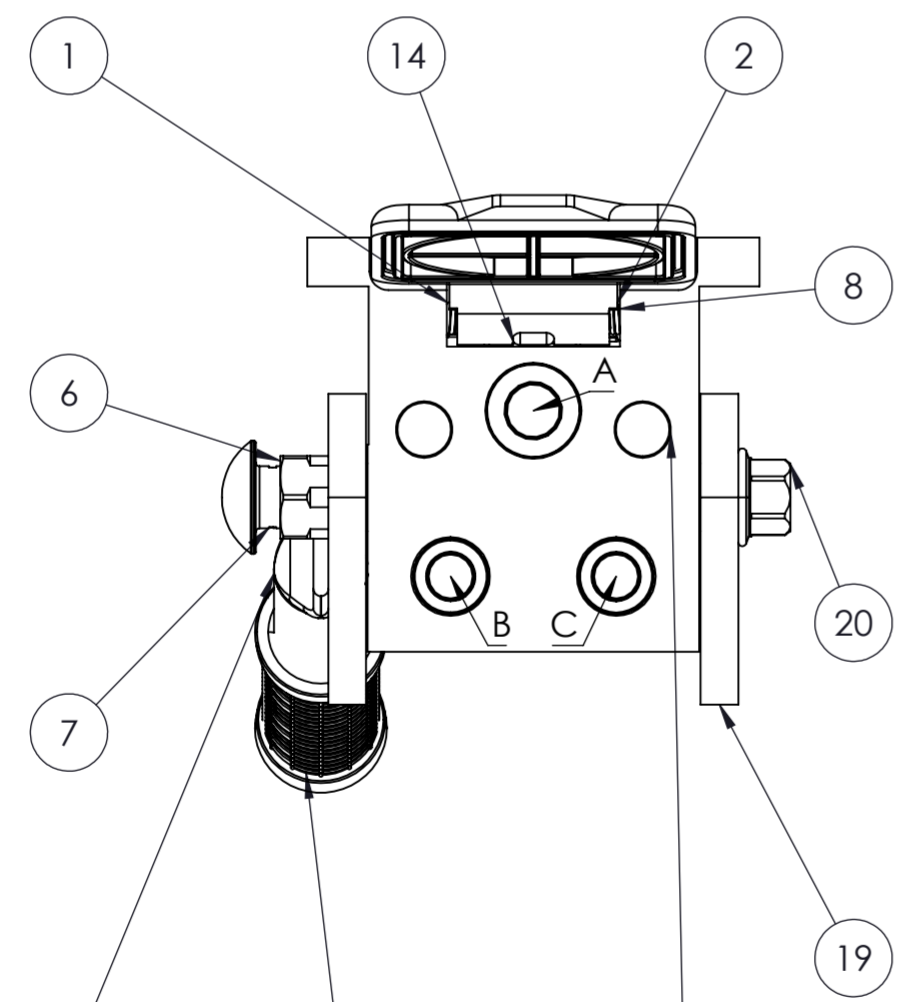
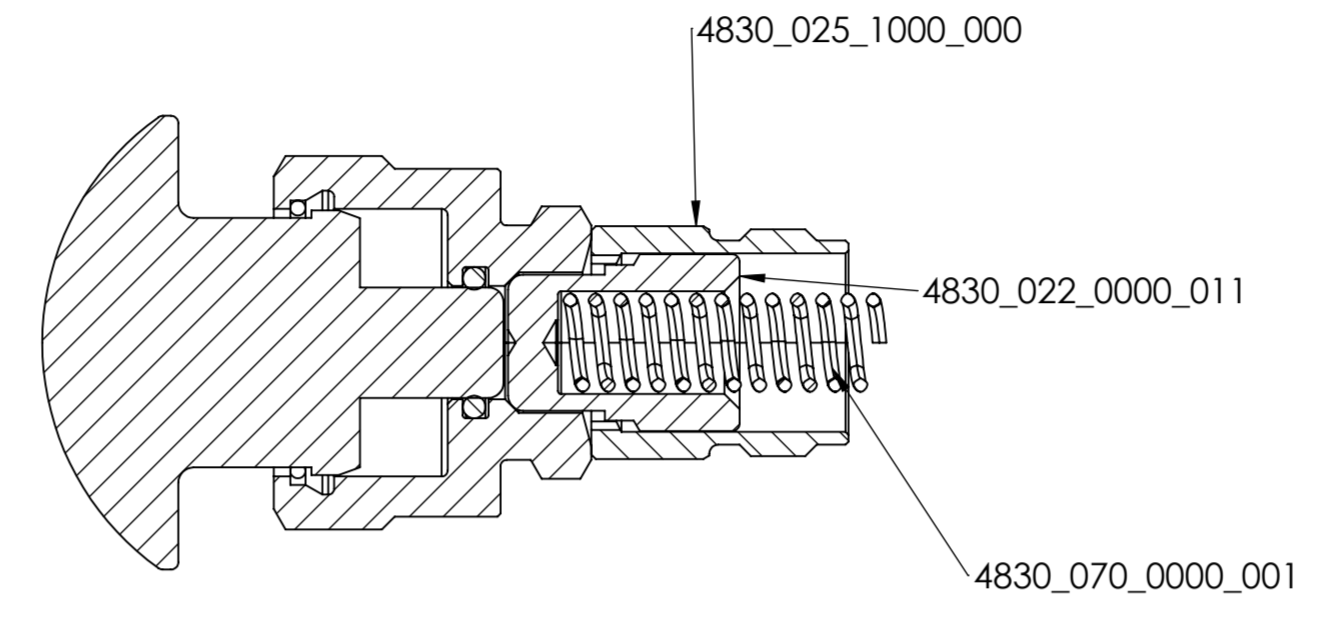
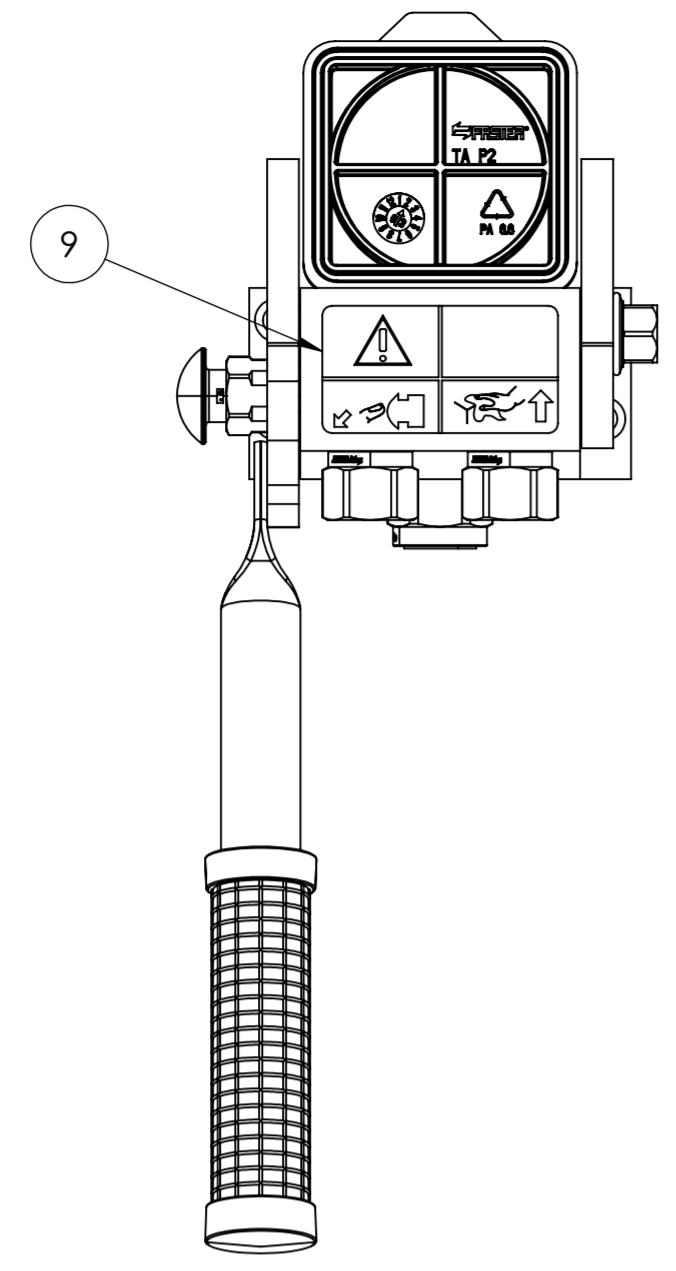


FOR NOT SPECIFIED
TIGHTENING TORQUES
SEE NPF 086

LUBRICATE WITH " MOLY-TEF "
THE COMPONENT : N° 22



POS.	Q.TY	DESCRIPTION	DRAWING N°	HEX
22	2	OR NITRILE 80° SHORE	OR 2x18	
21	1	MANOPOLA MULTIFASTER 25 MM. TONDA	48500240000012	
20	1	DADO AUTOBLOCCANTE M12 ISO 7044	15400800012000	
19	1	CAMMA DESTRA/SINISTRA P208 F	48200241001020	
18	1	ASSIEME LEVA SINISTRA P208 F	48200241001000	
17	1	FEMMINA X BLOCCO 2FFNB13	2FFNB12 GAS F	30
16	1	MOLLA CURSORE ESTERNO 2FFN12..F AI	41420721000300	
15	1	CURSORE ESTERNO 2FFNB12 ACCIAIO	43400140000000	
14	1	TAPPO MULTIFASTER P208	48200010001004	
13	1	PIASTRA FISSA P306	48200200000001	
12	2	GRUPPO INTERNO 06 PER PIASTRA	2FFNB38 GAS F	27
11	2	CURSORE ESTERNO 2FFNB38 ACCIAIO	41320140000000	
10	2	MOLLA CURSORE ESTERNO FFH 06	41320720000300	
9	1	STICKER MULTIFASTER SICURA SX	ET011	
8	1	SPINA X TAPPO AUTOMATICO P2	48200010004000	
7	1	PULS SIC DELRIN ROSSO UV RES NEW	48300252000000	
6	1	SICURA NUOVA X PIASTRA P5, ECC.	SICURA P5	
5	2	MOLLA SICURA PIASTRE P5	48300700000001	
4	2	NOTTOLINO SICURA P5 STAMPATO A FREDDO	48300220000011	
3	2	BOCCOLA X NOTTOLINO SICURA P5	48300251000000	
2	1	MOLLA DESTRA X SUPPORTI/PB06 AISI	48300010005301	
1	1	MOLLA SINISTRA X SUPPORTI/PB06 AISI	48300010005300	

Faster
RIVOLTA D'ADDA-CR-ITALY

THIS DRAWING IS EXCLUSIVE PROPERTY OF FASTER S.p.A
ANY UNAUTHORIZED COPY AND/OR USE ARE STRICTLY PROHIBITED.

DRAWN	CONFIGURATOR	GENERAL TOLERANCES (UNLESS OTHERWISE SPECIFIED): LINEAR DIMENSIONS: 0.1 ANGULAR DIMENSIONS: 10' RADIUS AND CHAMFER: 0.05 SHARP EDGES NOT DIMENSIONED; RADIUS OR CHAMFER MAX. 0.2	DESCRIPTION MULTIFASTER FIXED PART
DATE	11/10/2024		
SIZE	A2	DIMENSION	SYMBOL
	DIM. MILLIMETERS	CRITICAL	⊕
		IMPORTANT	⊕
		SECONDARY	NO SYMBOL
		PART NUMBER :	MF-P306 F-000670-F
		DRAWING N°	DB_MF-P306 F-000670-F
		REVISION	A 0