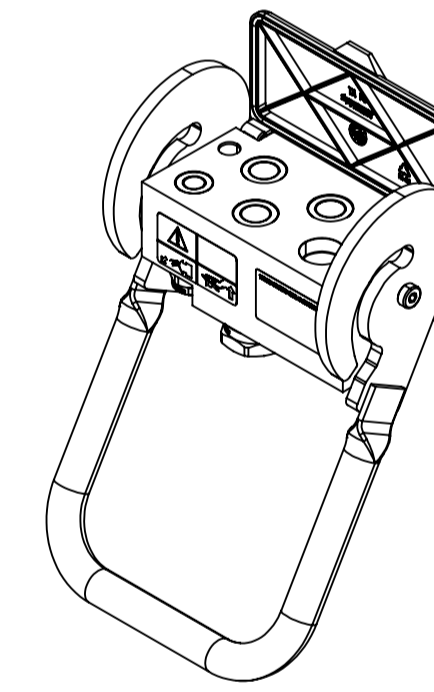
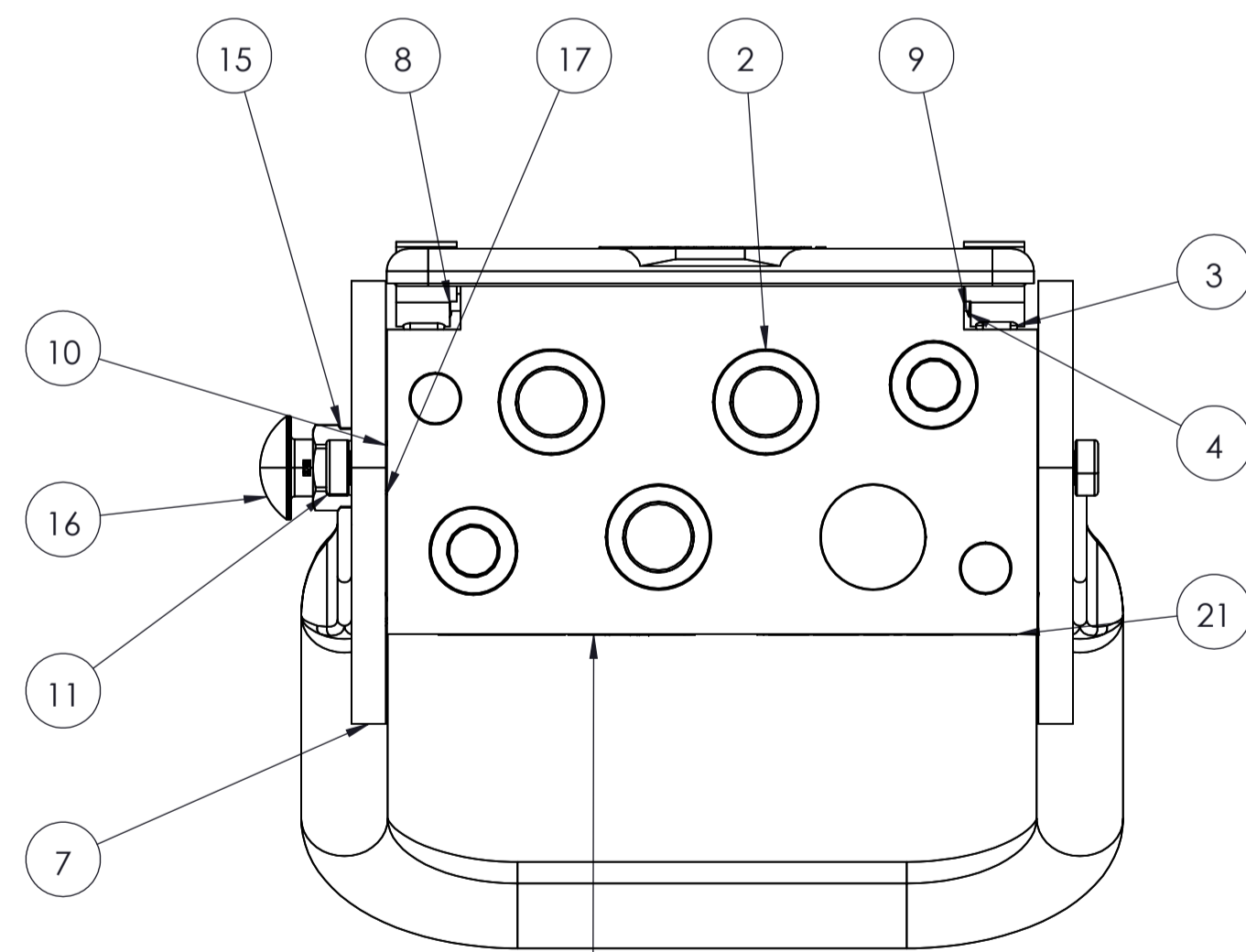
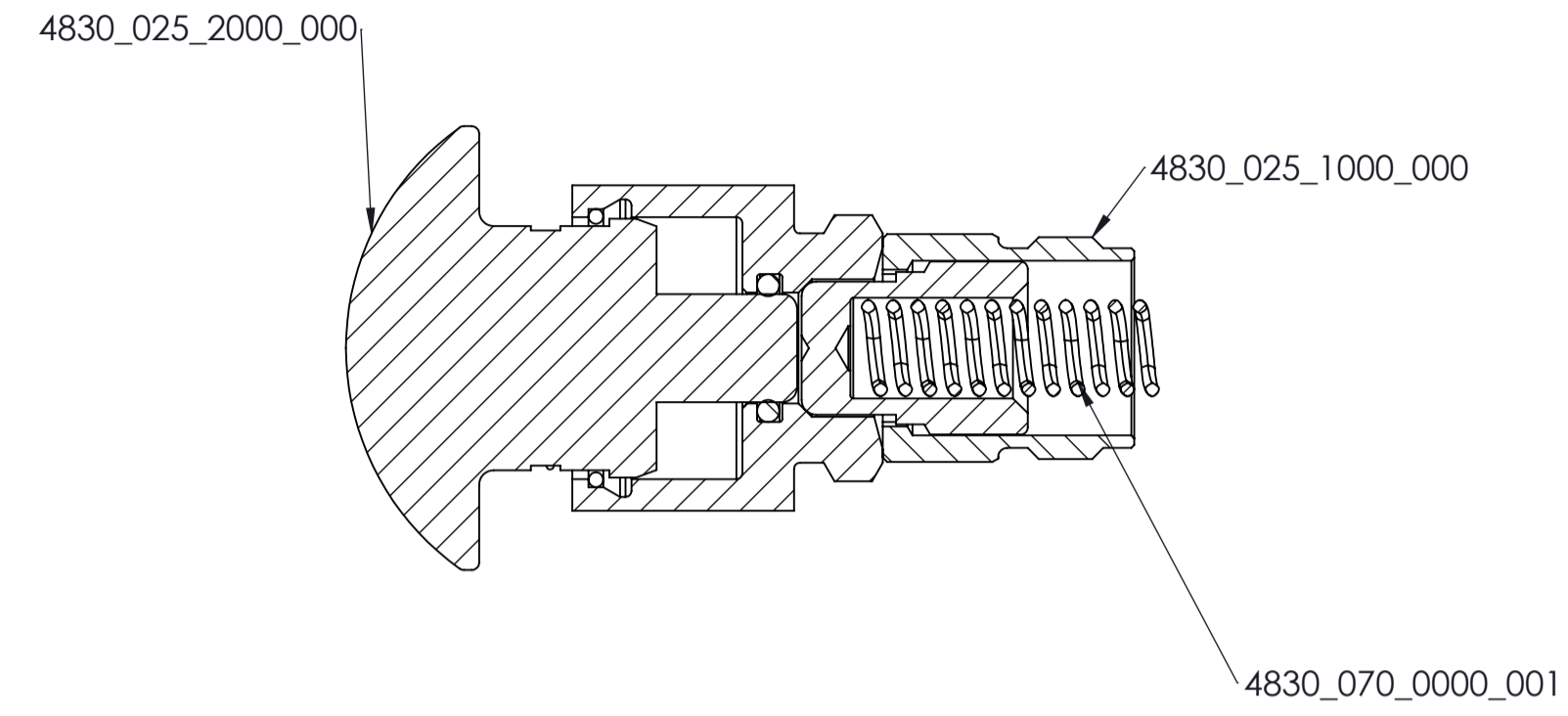
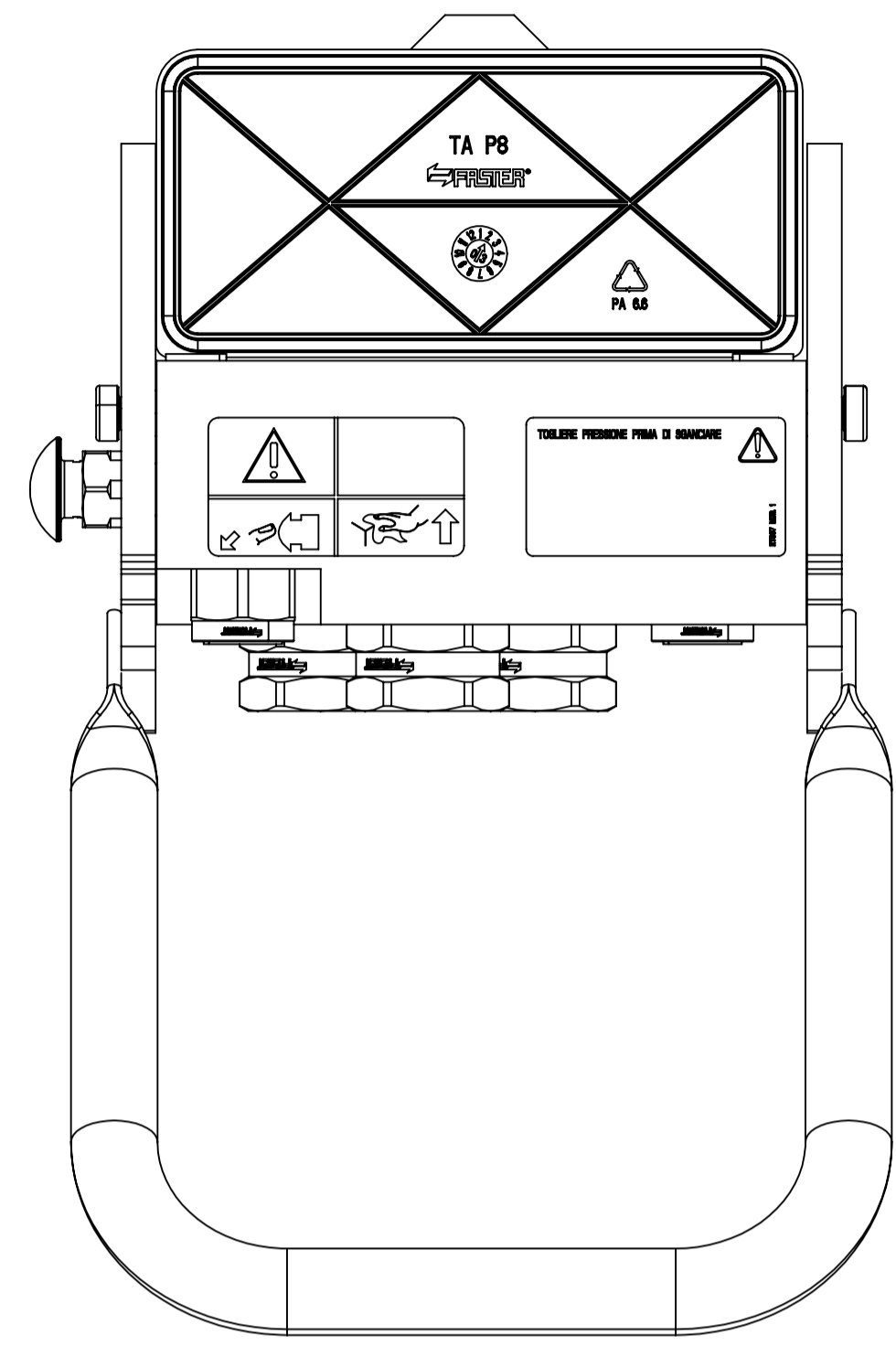


FOR NOT SPECIFIED
TIGHTENING TORQUES
SEE NPF 086



21	1	"ETICHETTA"TOGLI PRESSIONE""X PIASTRA"	ET007	
20	1	STICKER MULTIFASTER SICURA SX	ET011	
19	1	MOLLA SICURA PIASTRE P5	48300700000001	
18	1	NOTTOLINO SICURA P5 STAMPATO A FREDDO	48300220000011	
17	1	BOCCOLA X NOTTOLINO SICURA P5	48300251000000	
16	1	PULS SIC DELRIN ROSSO UV RES NEW	48300252000000	
15	1	SICURA NUOVA X PIASTRA P5,ECC.	SICURA P5	
14	3	FEMMINA X BLOCCO 2FFNB34	2FFNB34 GAS F	42
13	3	CURSORE ESTERNO 2FFNB34	42500141000000	
12	3	MOLLA CURSORE ESTERNO FFH 12	41500721000200	-
11	2	VITE M8X30,5 DEFORMATA A FREDDO	48300133000030	
10	2	RONDELLA DISTANZIALE P10A	48500500000000	
9	2	SPINA X TAPPO AUTOMATICO P6	48300010004000	
8	1	MOLLA DESTRA X SUPPORTI/PB06 AISI	48300010005301	
7	1	ASSIEME LEVA P10A	48500248001000	
6	2	FEMMINA X BLOCCO 2FFNB13	2FFNB12 GAS F	30
5	2	MOLLA CURSORE ESTERNO 2FFN12..F AI	41420721000300	
4	1	MOLLA SINISTRA X SUPPORTI/PB06 AISI	48300010005300	
3	1	TAPPO MULTIFASTER P808	48500010001005	
2	1	"PIASTRA P61 4X3/4"" 2X1/2""	48500208000000	
1	2	CURSORE ESTERNO 2FFNB12 ACCIAIO	43400140000000	
PDS.	Q.TY	DESCRIPTION	DRAWING N°	HEX

Faster
RIVOLTA D'ADDA-CR-ITALY

THIS DRAWING IS EXCLUSIVE PROPERTY OF FASTER S.p.A.
ANY UNAUTHORIZED COPY AND/OR USE ARE STRICTLY PROHIBITED.

DRAWN	CONFIGURATOR	GENERAL TOLERANCES (UNLESS OTHERWISE SPECIFIED) LINEAR DIMENSIONS ±0.1 ANGULAR DIMENSIONS ±1° RADIUS AND CHAMFER ±0.05 SHARP EDGES NOT DIMENSIONED RADIUS OR CHAMFER MAX. 0.2	DESCRIPTION MULTIFASTER FIXED PART
DATE	15/07/2024		
SIZE	A1	DIMENSION	SYMBOL
DIM. MILLIMETERS		CRITICAL	⊕
		IMPORTANT	⊕
		SECONDARY	NO SYMBOL
		PART NUMBER : MF-P61 F-003838-F	
		DRAWING N° DB_MF-P61 F-003838-F	
		REVISION A 0	