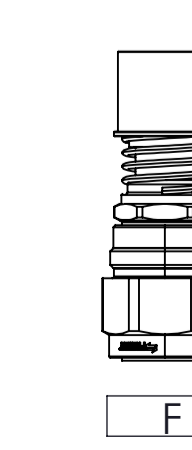
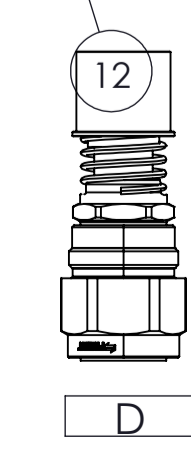
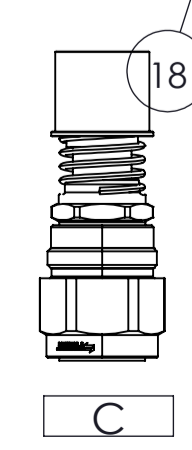
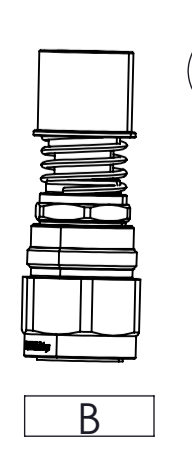
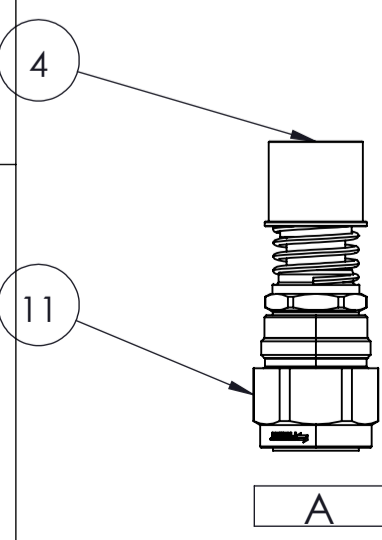
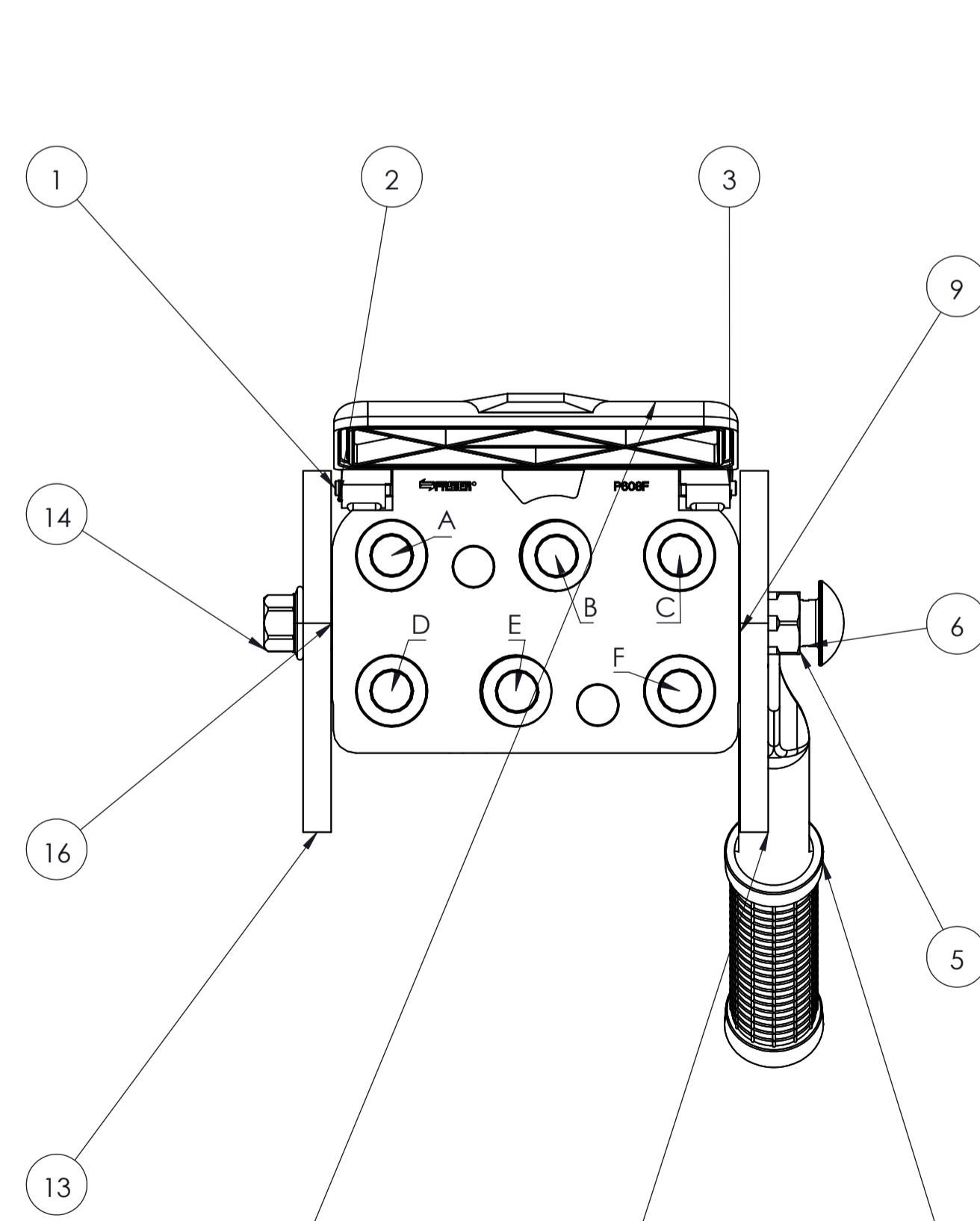
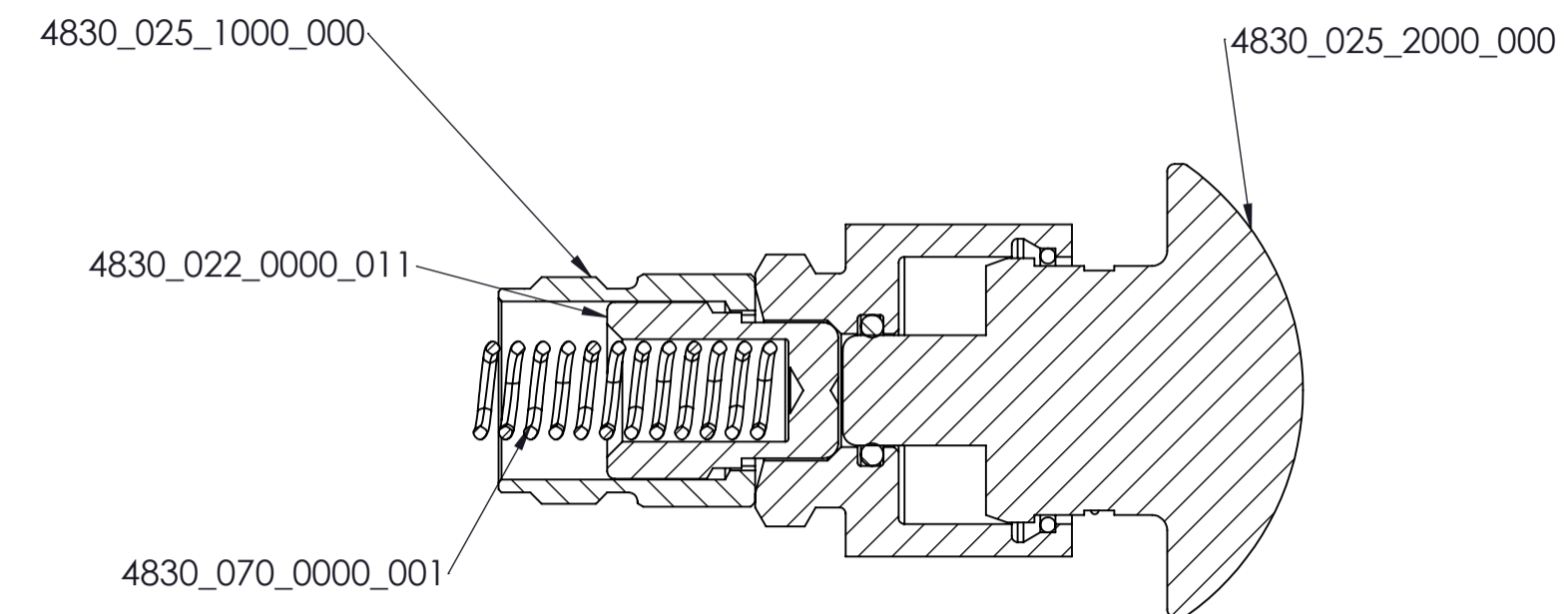
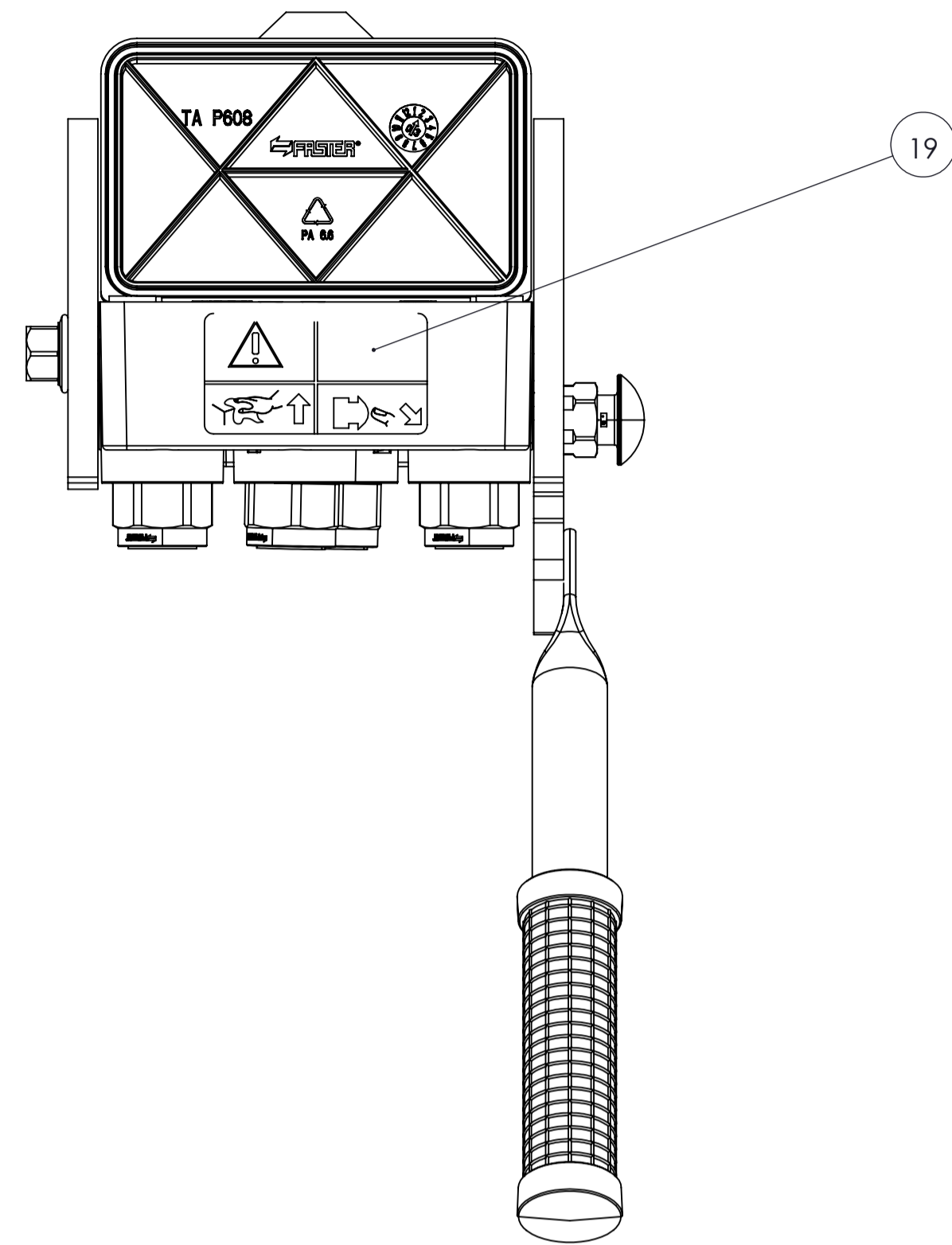


FOR NOT SPECIFIED  
TIGHTENING TORQUES  
SEE NPF 086

LUBRICATE WITH " MOLY-TEF "  
THE COMPONENT : N° 15



PDS.	Q.TY	DESCRIPTION	DRAWING N°	HEX
19	1	STICKER MULTIFASTER SICURA DX	ET012	
18	1	ASSIEME LEVA DESTRA P608	48500244000000	
17	1	TAPPO MULTIFASTER P608	48500010001007	
16	1	PIASTRA FISSA P608 (DA PRES.FUS)	48520200001001	
15	2	OR NITRILE 80° SHORE	OR 2,62x17,86	
14	1	DADO AUTOBLOCCANTE M12 ISO 7044	15400800012000	
13	1	CAMMA DX/SX P808-P608	48500240000020	
12	1	MANDOPOLA MULTIFASTER 25 MM. TONDA	48500240000012	
11	6	FEMMINA X BLOCCO 2FFNB13	2FFNB12 GAS F	30
10	6	MOLLA CURSDRE ESTERNO 2FFN12.F AI	41420721000300	
9	1	MOLLA SICURA PIASTRE P5	48300700000001	
8	1	NOTTOLINO SICURA P5 STAMPATO A FREDDO	48300220000011	
7	1	BOCCOLA X NOTTOLINO SICURA P5	48300251000000	
6	1	PULS SIC DELRIN ROSSO UV RES NEW	48300252000000	
5	1	SICURA NUOVA X PIASTRA P5, ECC.	SICURA P5	
4	6	CURSDRE ESTERNO 2FFNB12 ACCIAIO	43400140000000	
3	1	MOLLA DESTRA X SUPPORTI/PB06 AISI	48300010005301	
2	1	MOLLA SINISTRA X SUPPORTI/PB06 AISI	48300010005300	
1	2	SPINA X TAPPO AUTOMATICO P6	48300010004000	

<b>Faster</b> RIVOLTA D'ADDA-CR-ITALY		THIS DRAWING IS EXCLUSIVE PROPERTY OF FASTER S.p.A. ANY UNAUTHORIZED COPY AND/OR USE ARE STRICTLY PROHIBITED.	
DRAWN	CONFIGURATOR	GENERAL TOLERANCES (UNLESS OTHERWISE SPECIFIED): LINEAR DIMENSIONS ±0.1 ANGULAR DIMENSIONS ±1° RADIUS AND CHAMFER ±0.05 SHARP EDGES NOT DIMENSIONED RADIUS OR CHAMFER MAX. 0.2	DESCRIPTION MULTIFASTER FIXED PART
DATE	13/12/2023		
SIZE	A1	DIMENSION	SYMBOL
DIM. MILLIMETERS	CRITICAL	⊕	PART NUMBER : MF-P608 F-000474-F
	IMPORTANT	⊖	DRAWING N° DB_MF-P608 F-000474-F
	SECONDARY	NO SYMBOL	REVISION A   0