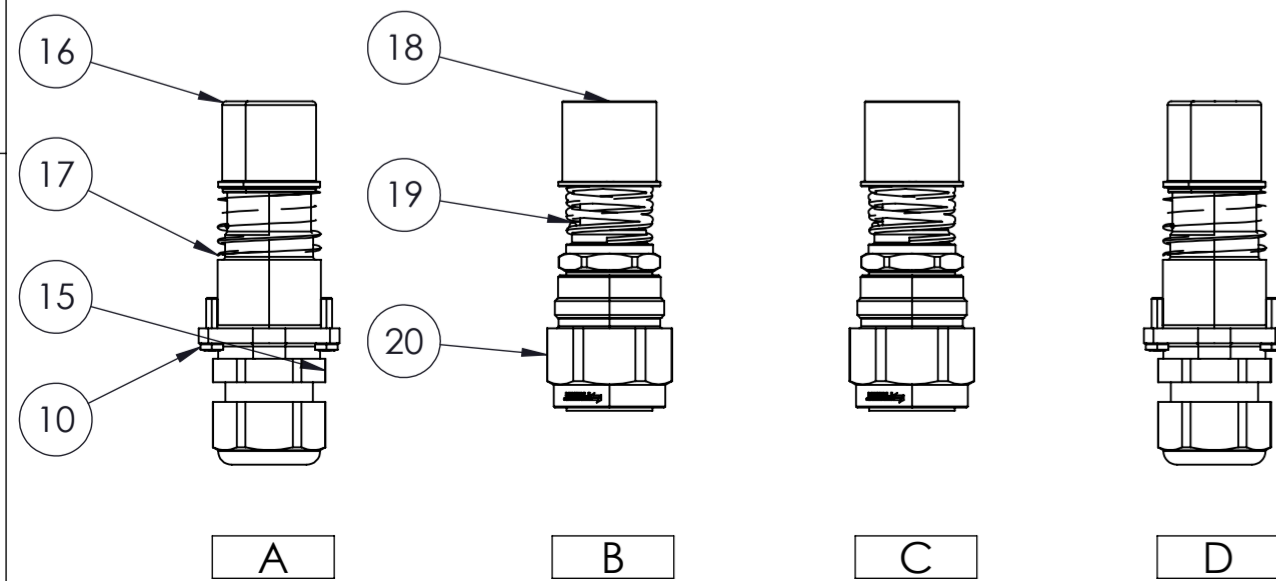
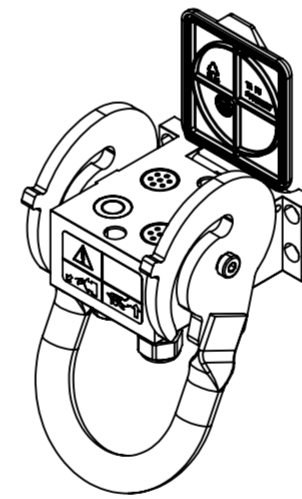
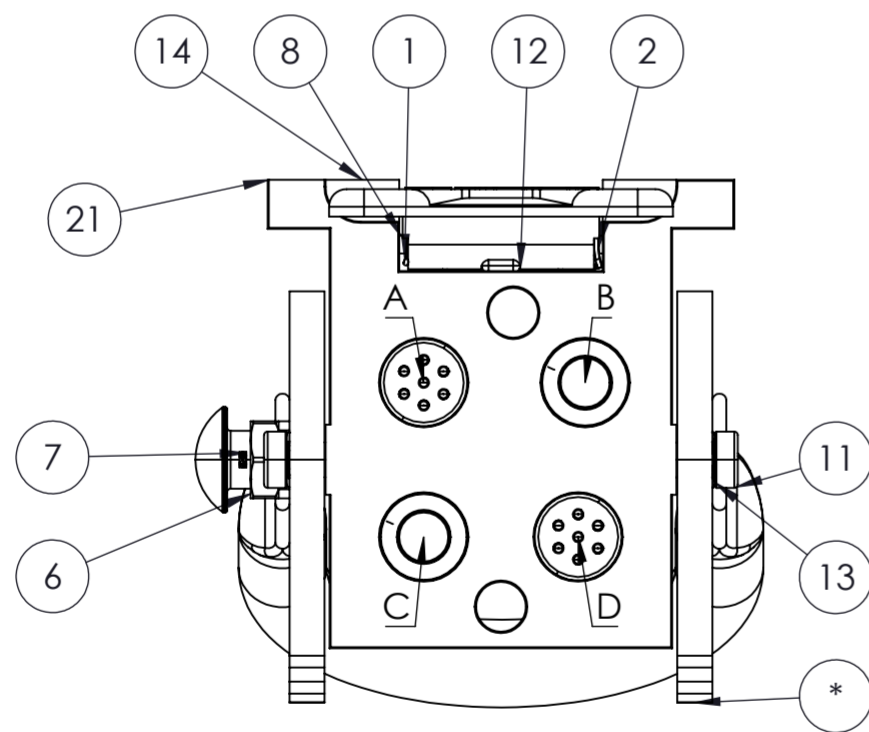
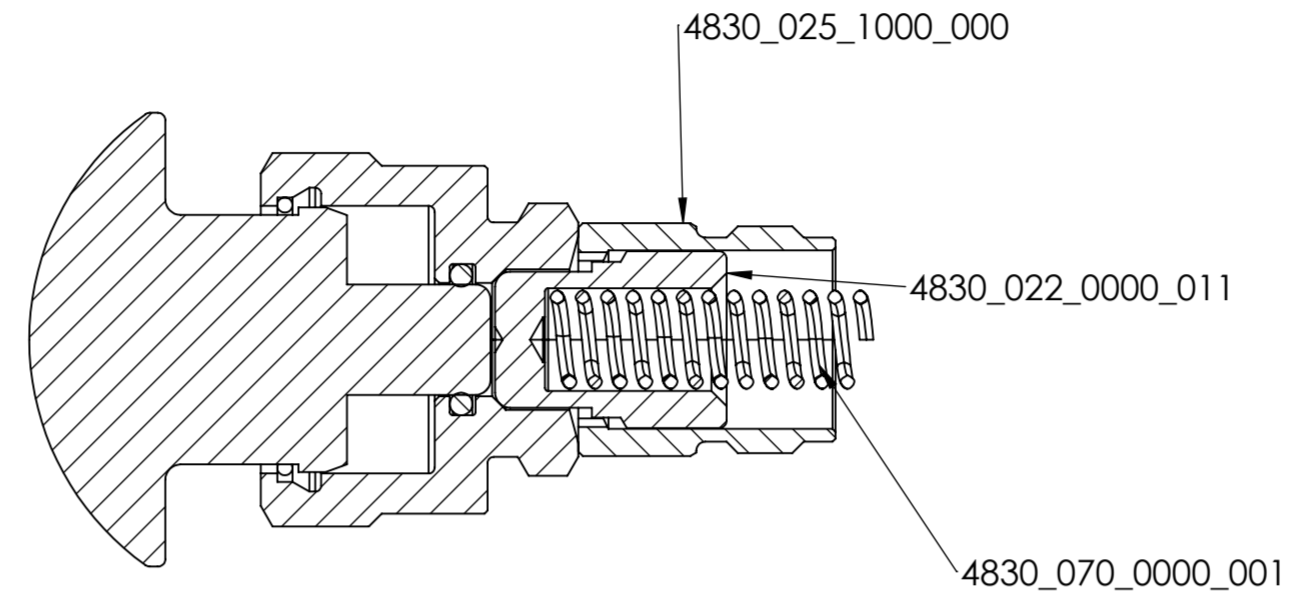
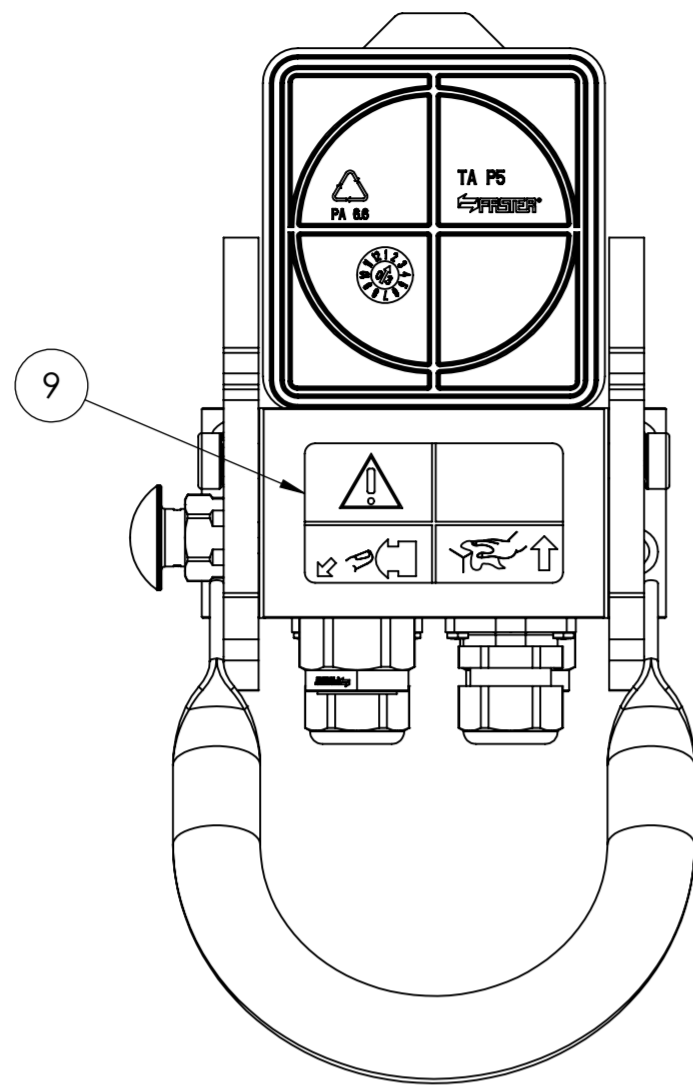


FOR NOT SPECIFIED  
TIGHTENING TORQUES  
SEE NPF 086



POS.	Q.TY	DESCRIPTION	DRAWING N°	HEX
21	1	ASSIEME LEVE P506-1 CORTA SIC SX	48300244001000	
20	2	FEMMINA X BLOCCO 2FFNB13	2FFNB12 GAS F	30
19	2	MOLLA CURSORE ESTERNO 2FFN12..F AI	41420721000300	
18	2	CURSORE ESTERNO 2FFNB12 ACCIAIO	43400140000000	
17	2	MOLLA CURSORE ESTERNO FFH 08	42410720000200	
16	2	CURSORE SPINA ELETTRICA BASE 08 7	48500070000000	
15	2	SP.EL.BASE08-7 POLI X P.FISSA	CORSPEL08-7 F	
14	1	PIASTRA FISSA P508F A 4 FEMMINE X B	48300200000022	
13	2	ANELLO DI COMPENSAZIONE	00483171000000	
12	1	TAPPO MULTIFASTER P506	48100010001014	
11	2	VITE M8X30,5 DEFORMATA A FREDDO	48300133000030	
10	6	VITI AUTOFIL.TRILOBATE M3X12 CROCE	48300440000000	
9	1	STICKER MULTIFASTER SICURA SX	ET011	
8	1	SPINA X TAPPO AUTOMATICO P2	48200010004000	
7	1	PULS SIC DELRIN ROSSO UV RES NEW	48300252000000	
6	1	SICURA NUOVA X PIASTRA P5, ECC.	SICURA P5	
5	2	MOLLA SICURA PIASTRE P5	48300700000001	
4	2	NOTTOLINO SICURA P5 STAMPATO A FREDDO	48300220000011	
3	2	BOCCOLA X NOTTOLINO SICURA P5	48300251000000	
2	1	MOLLA DESTRA X SUPPORTI/PB06 AISI	48300010005301	
1	1	MOLLA SINISTRA X SUPPORTI/PB06 AISI	48300010005300	
POS.	Q.TY	DESCRIPTION	DRAWING N°	HEX

**Faster**

RIVOLTA D'ADDA-CR-ITALY

THIS DRAWING IS EXCLUSIVE PROPERTY OF FASTER S.p.A  
ANY UNAUTHORIZED COPY AND/OR USE ARE STRICTLY PROHIBITED.

DRAWN	CONFIGURATOR	GENERAL TOLERANCES (UNLESS OTHERWISE SPECIFIED): LINEAR DIMENSIONS '0.1' ANGULAR DIMENSIONS '1' RADIUS AND CHAMFER '0.05' SHARP EDGES NOT DIMENSIONED; RADIUS OR CHAMFER MAX. 0.2		DESCRIPTION	MULTIFASTER FIXED PART
DATE	08/03/2023			PART NUMBER :	MF-P508 V F-001533-F
SIZE	A2	DIMENSION	SYMBOL		
	DIM. MILLIMETERS	CRITICAL	⊕		
		IMPORTANT	⊕	DRAWING N°	REVISION
		SECONDARY	NO SYMBOL	DB_MF-P508 V F-001533-F	A 10