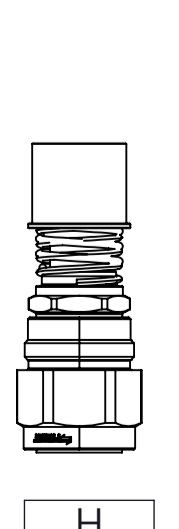
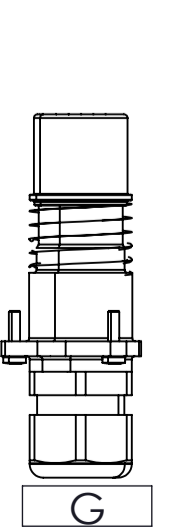
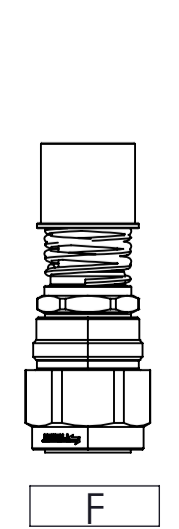
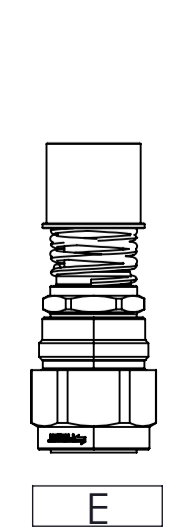
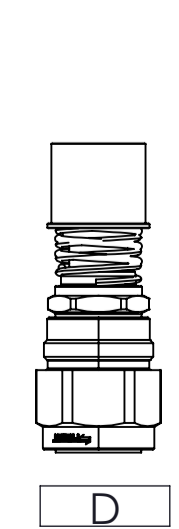
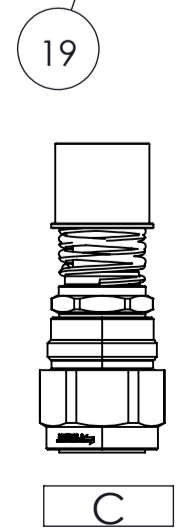
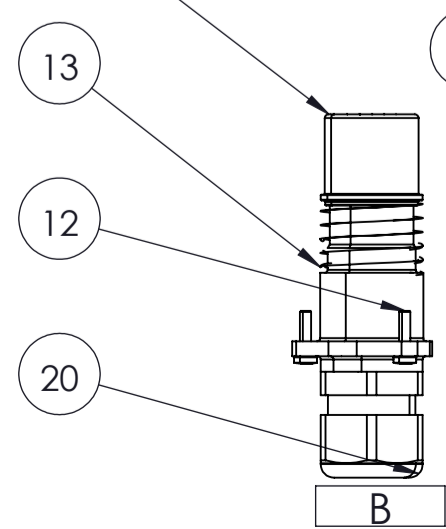
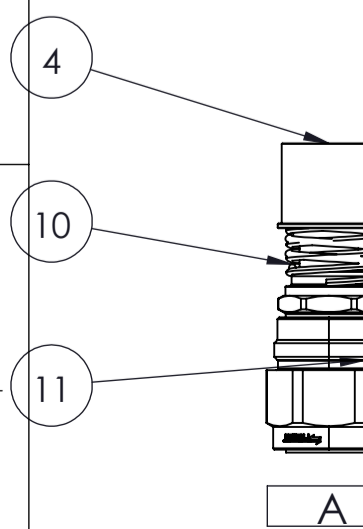
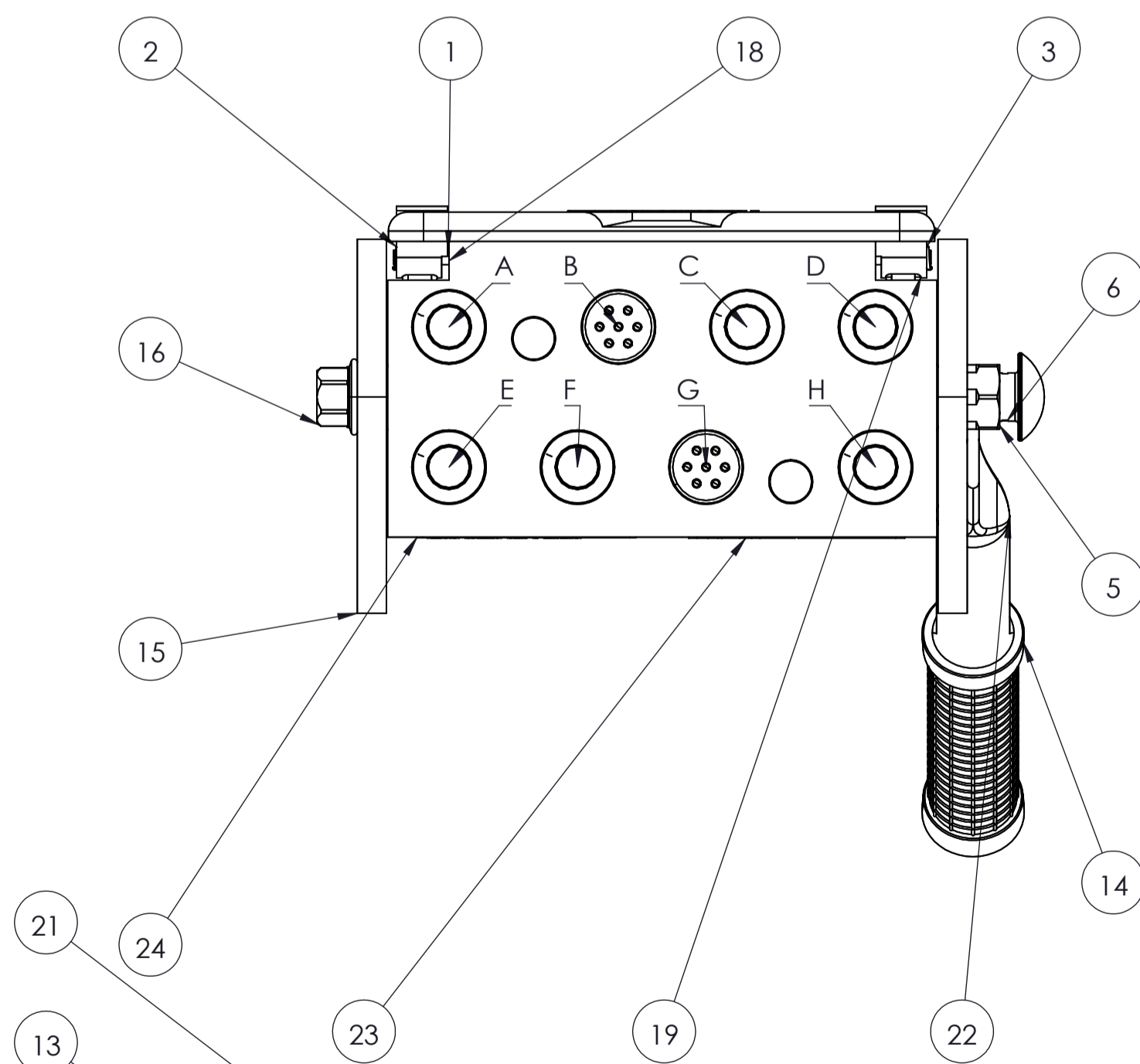
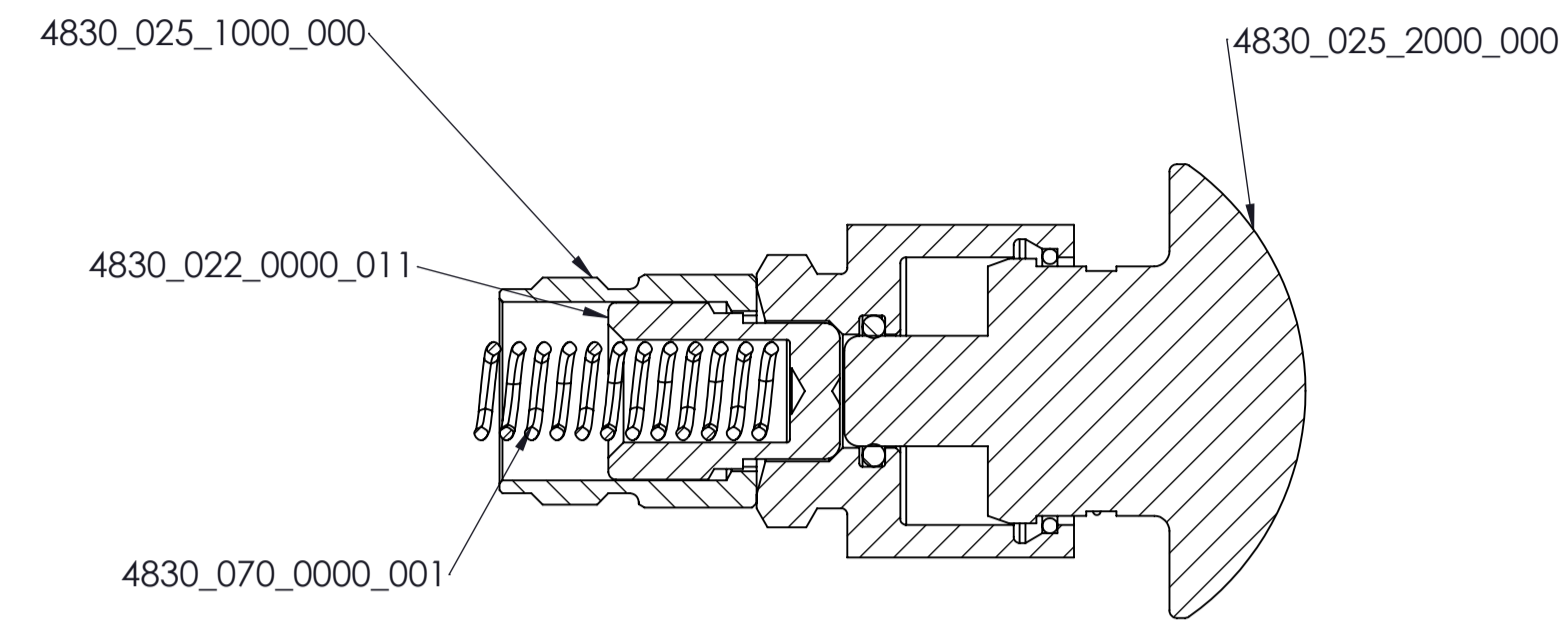
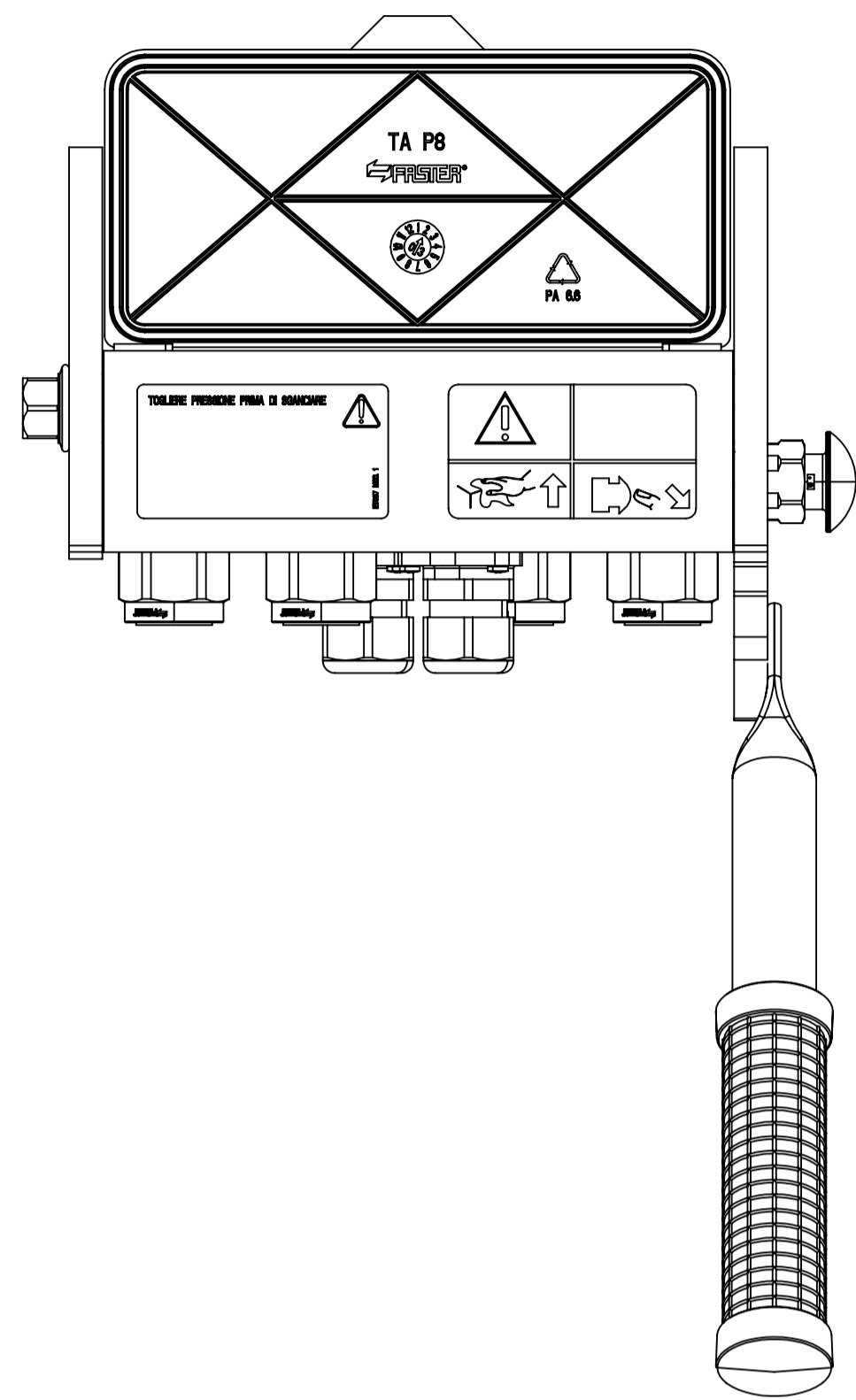


FOR NOT SPECIFIED
TIGHTENING TORQUES
SEE NPF 086

LUBRICATE WITH " MOLY-TEF "
THE COMPONENT : N° 17



24	1	"ETICHETTA"TOGLI PRESSIONE""X PIASTRA"	ET007	
23	1	STICKER MULTIFASTER SICURA DX	ET012	
22	1	ASSIEME LEVA DESTRA P808	48500242000000	
21	2	CURSORE SPINA ELETTRICA BASE 08 7	48500070000000	
20	2	SP.EL.BASE08-7 POLI X P.FISSA	CORSPEL08-7 F	
19	1	TAPPO MULTIFASTER P808	48500010001005	
18	1	PIASTRA FISSA P808	48500200000020	
17	2	OR NITRILE 80° SHORE	OR 2,62x17,86	
16	1	DADO AUTOBLOCCANTE M12 ISO 7044	15400800012000	
15	1	CAMMA DX/SX P808-P608	48500240000020	
14	1	MANDOPOLA MULTIFASTER 25 MM. TONDA	48500240000012	
13	2	MOLLA CURSORE ESTERNO FFH 08	42410720000200	
12	6	VITI AUTOFIL.TRILOBATE M3X12 CRDCE	48300440000000	
11	6	FEMMINA X BLOCCO 2FFN13	2FFN12 GAS F	30
10	6	MOLLA CURSORE ESTERNO 2FFN12.F AI	41420721000300	
9	1	MOLLA SICURA PIASTRE P5	48300700000001	
8	1	NOTTOLINO SICURA P5 STAMPATO A FREDDO	48300220000011	
7	1	BOCCOLA X NOTTOLINO SICURA P5	48300251000000	
6	1	PULS SIC DELRIN ROSSO UV RES NEW	48300252000000	
5	1	SICURA NUOVA X PIASTRA P5, ECC.	SICURA P5	
4	6	CURSORE ESTERNO 2FFN12 ACCIAIO	43400140000000	
3	1	MOLLA DESTRA X SUPPORTI/PB06 AISI	48300010005301	
2	1	MOLLA SINISTRA X SUPPORTI/PB06 AISI	48300010005300	
1	2	SPINA X TAPPO AUTOMATICO P6	48300010004000	
PQS.	Q.TY	DESCRIPTION	DRAWING N°	HEX

Faster
RIVOLTA D'ADDA-CR-ITALY

THIS DRAWING IS EXCLUSIVE PROPERTY OF FASTER S.p.A.
ANY UNAUTHORIZED COPY AND/OR USE ARE STRICTLY PROHIBITED.

DRAWN	CONFIGURATOR	GENERAL TOLERANCES (UNLESS OTHERWISE SPECIFIED) LINEAR DIMENSIONS ±0.1 ANGULAR DIMENSIONS ±1° RADIUS AND CHAMFER ±0.05 SHARP EDGES NOT DIMENSIONED RADIUS OR CHAMFER MAX. 0.2	DESCRIPTION MULTIFASTER FIXED PART
DATE	05/01/2023		
SIZE	A1	DIMENSION	SYMBOL
		CRITICAL	⊕
		IMPORTANT	⊕
		SECONDARY	NO SYMBOL
		PART NUMBER : MF-P808 F-001323-F	
		DRAWING N° DB_MF-P808 F-001323-F	
		REVISION	A 0