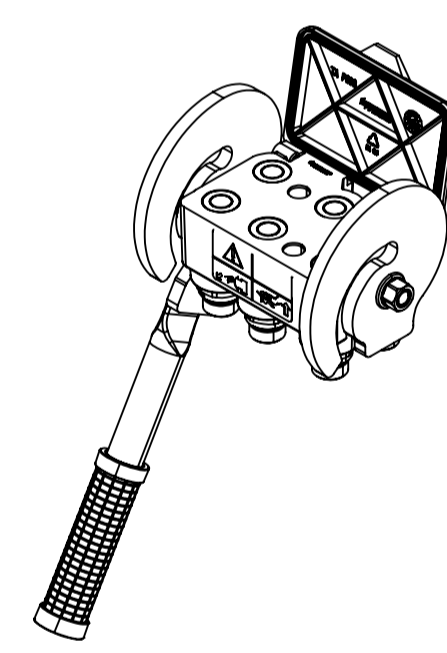
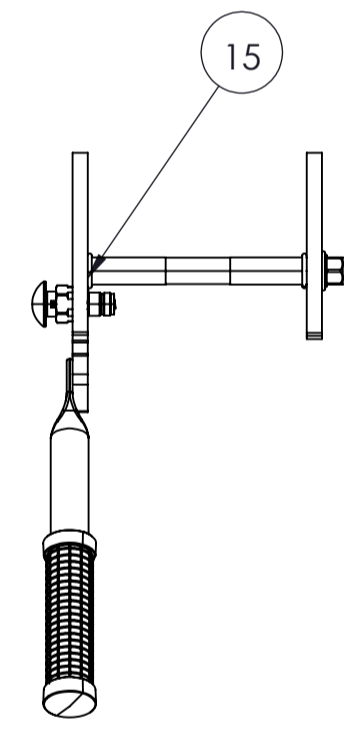
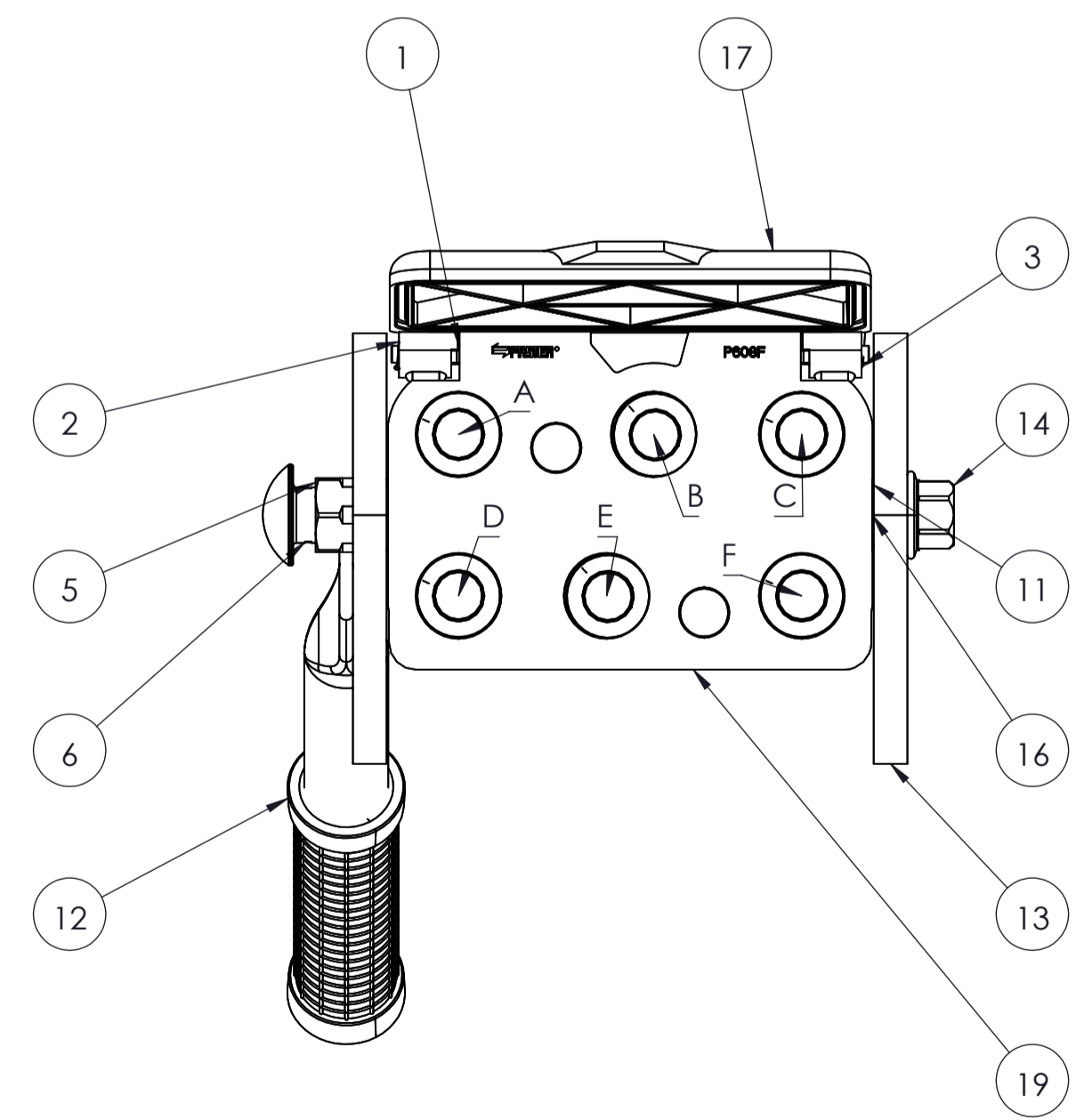
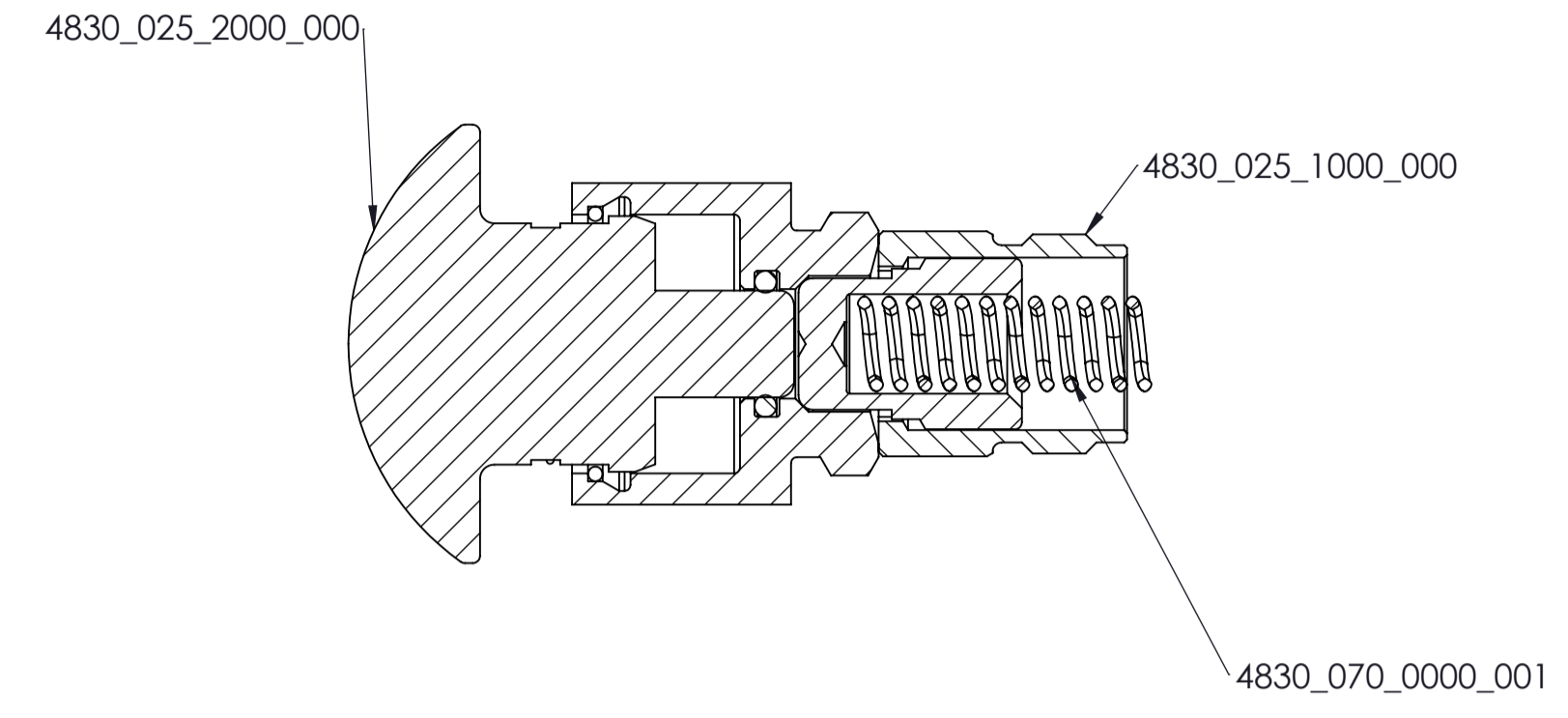
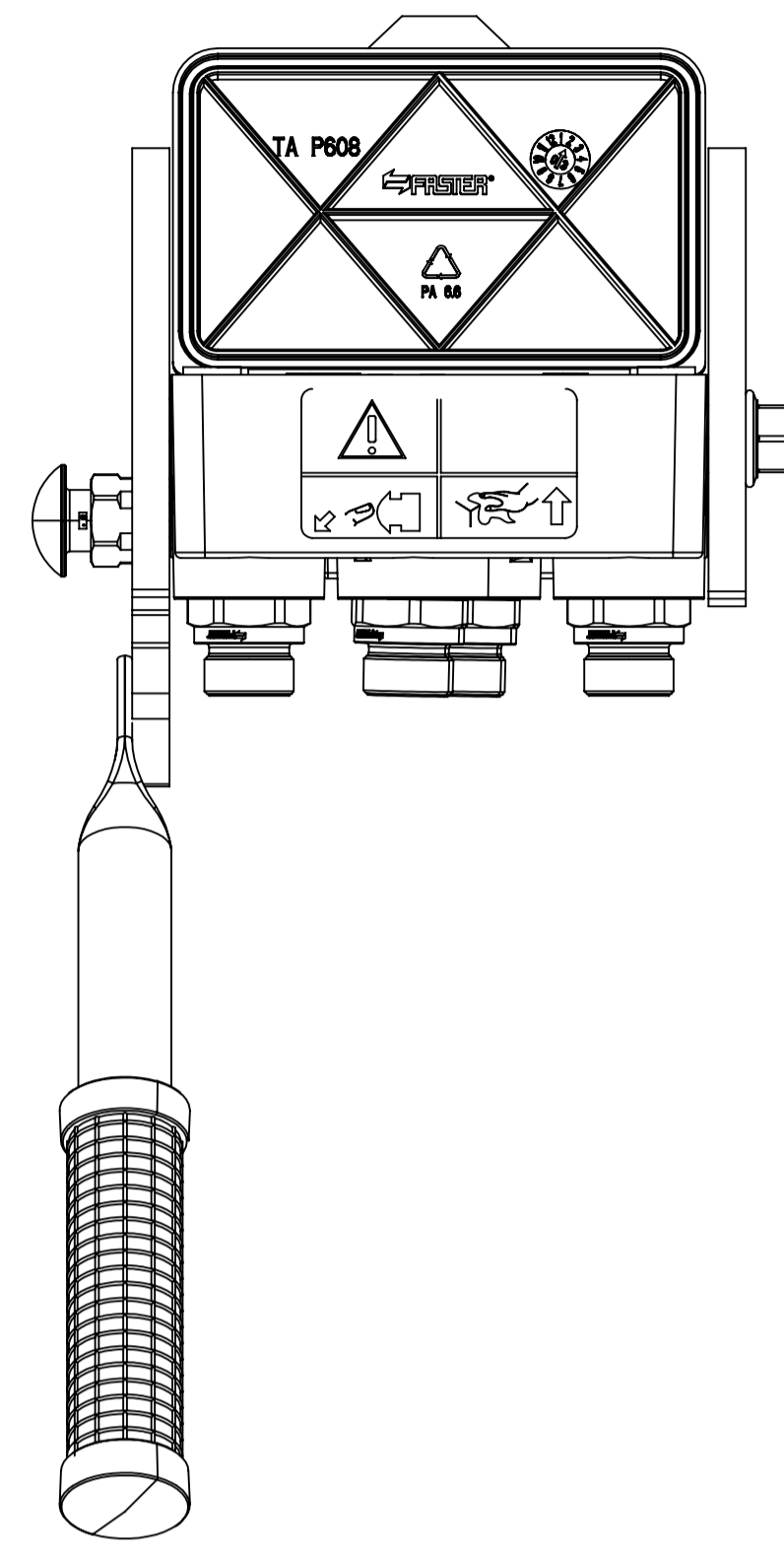


FOR NOT SPECIFIED
TIGHTENING TORQUES
SEE NPF 086

LUBRICATE WITH " MOLY-TEF "
THE COMPONENT : N° 15

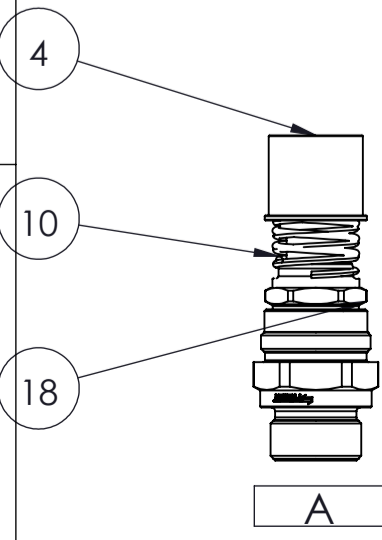


19	1	STICKER MULTIFASTER SICURA SX	ET011	
18	6	FEMMINA X BLOCCO 2FFNB12	2FFNB12-3/24 F	30
17	1	TAPPO MULTIFASTER P608	48500010001007	
16	1	PIASTRA FISSA P608 (DA PRES.FUS)	48520200001001	
15	2	OR NITRILE 80° SHORE	OR 2,62x17,86	
14	1	DADO AUTOBLOCCANTE M12 ISO 7044	15400800012000	
13	1	CAMMA DX/SX P808-P608	48500240000020	
12	1	MANDOPOLA MULTIFASTER 25 MM. TONDA	48500240000012	
11	1	ASSIEME LEVA SINISTRA P608	48500241000000	
10	6	MOLLA CURSDRE ESTERNO 2FFN12.F AI	41420721000300	
9	1	MOLLA SICURA PIASTRE P5	48300700000001	
8	1	NOTTOLINO SICURA P5 STAMPATO A FREDDO	48300220000011	
7	1	BOCCOLA X NOTTOLINO SICURA P5	48300251000000	
6	1	PULS SIC DELRIN ROSSO UV RES NEW	48300252000000	
5	1	SICURA NUOVA X PIASTRA P5, ECC.	SICURA P5	
4	6	CURSDRE ESTERNO 2FFNB12 ACCIAIO	43400140000000	
3	1	MOLLA DESTRA X SUPPORTI/PB06 AISI	48300010005301	
2	1	MOLLA SINISTRA X SUPPORTI/PB06 AISI	48300010005300	
1	2	SPINA X TAPPO AUTOMATICO P6	48300010004000	
PQS.	Q.TY	DESCRIPTION	DRAWING N°	HEX

Faster
RIVOLTA D'ADDA-CR-ITALY

THIS DRAWING IS EXCLUSIVE PROPERTY OF FASTER S.p.A
ANY UNAUTHORIZED COPY AND/OR USE ARE STRICTLY PROHIBITED.

DRAWN	CONFIGURATOR	GENERAL TOLERANCES (UNLESS OTHERWISE SPECIFIED): LINEAR DIMENSIONS ±0.1 ANGULAR DIMENSIONS ±1° RADIUS AND CHAMFER ±0.05 SHARP EDGES NOT DIMENSIONED RADIUS OR CHAMFER MAX. 0.2	DESCRIPTION MULTIFASTER FIXED PART
DATE	14/04/2022		
SIZE	A1	DIMENSION	PART NUMBER : MF-P608 F-000634-F
		CRITICAL	
		IMPORTANT	DRAWING N°
		SECONDARY	DB_MF-P608 F-000634-F
			REVISION A 0



G

H