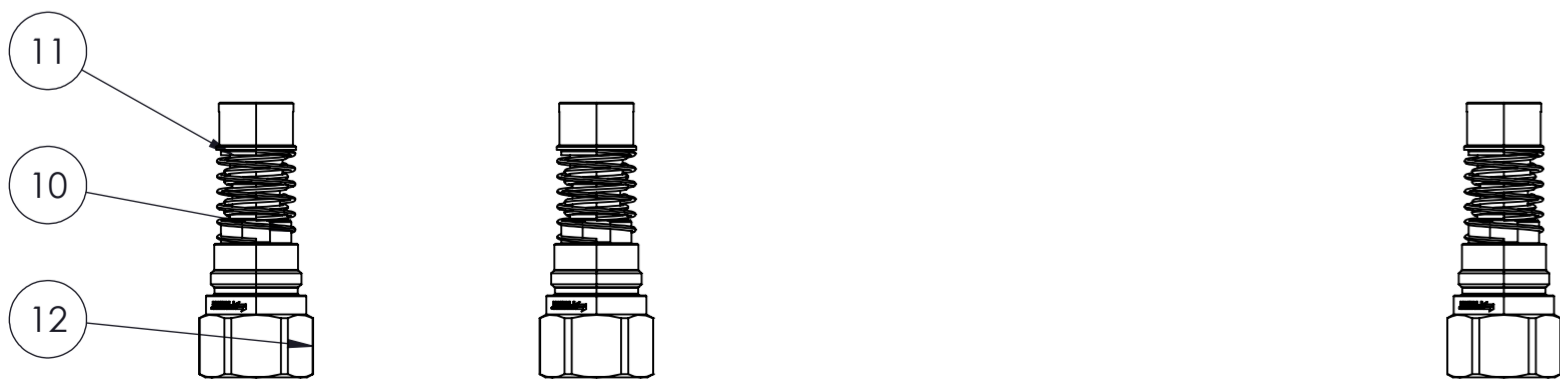
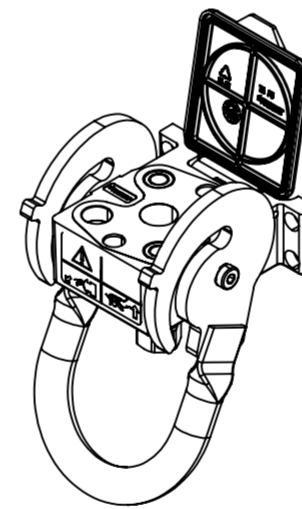
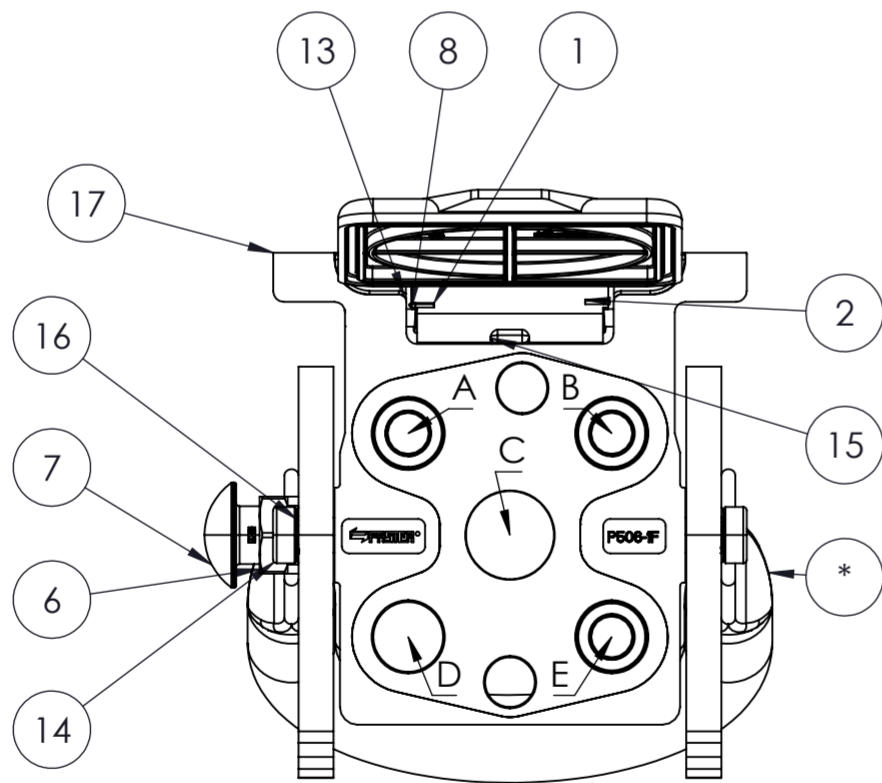
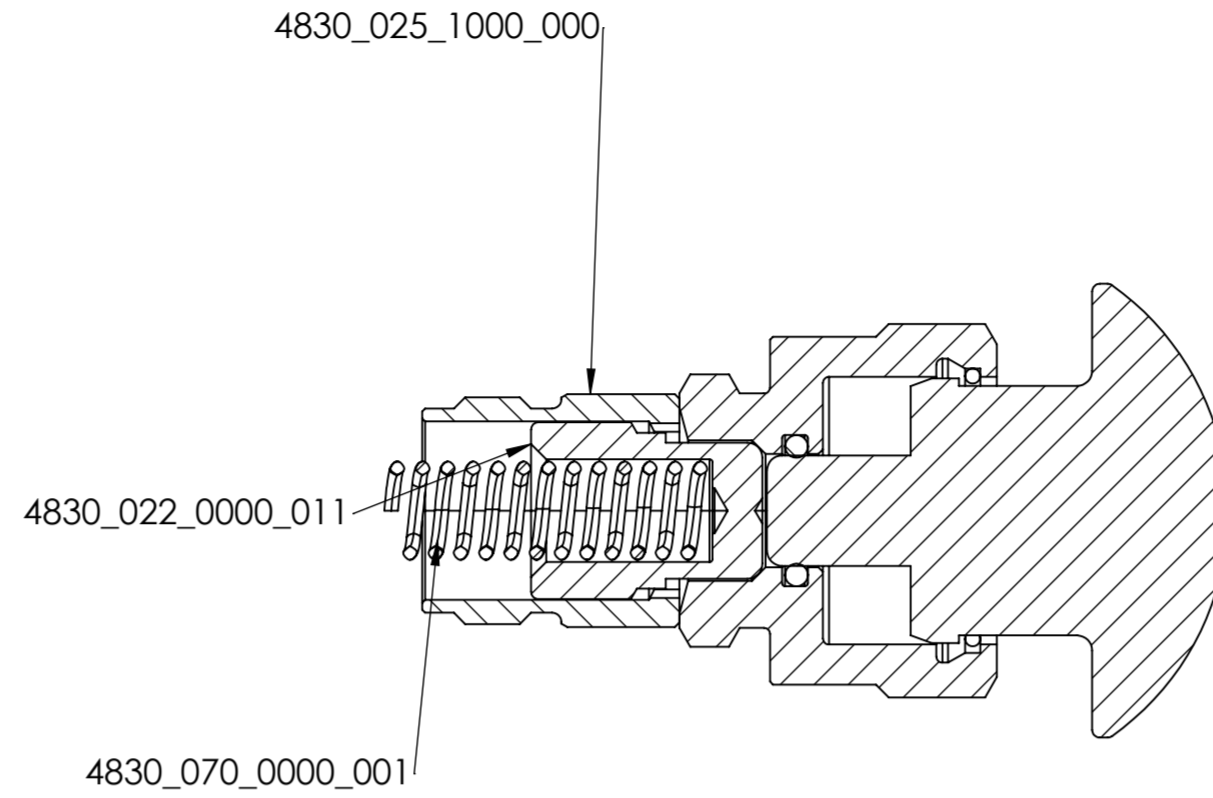
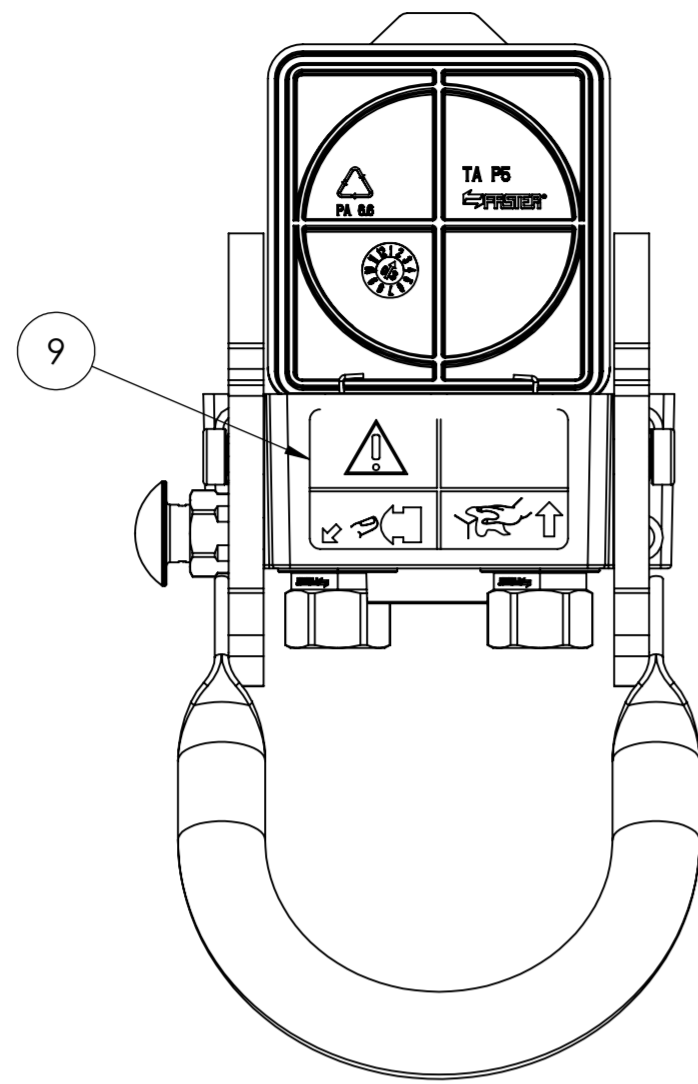


FOR NOT SPECIFIED  
TIGHTENING TORQUES  
SEE NPF 086



| POS. | Q.TY | DESCRIPTION                           | DRAWING N°     | HEX |
|------|------|---------------------------------------|----------------|-----|
| 17   | 1    | ASSIEME LEVE P506-1 CORTA SIC SX      | 48300244001000 |     |
| 16   | 2    | ANELLO DI COMPENSAZIONE               | 00483171000000 |     |
| 15   | 1    | TAPPO MULTIFASTER P506                | 48100010001014 |     |
| 14   | 2    | VITE M8X30,5 DEFORMATA A FREDDO       | 48300133000030 |     |
| 13   | 1    | PIASTRA F P506-1 (FINITA) PRES-FUSA   | 48320204001000 |     |
| 12   | 3    | GRUPPO INTERNO 06 PER PIASTRA         | 2FFNB38 GAS F  | 27  |
| 11   | 3    | CURSORE ESTERNO 2FFNB38               | 41320140000000 |     |
| 10   | 3    | MOLLA CURSORE ESTERNO FFH 06          | 41320720000300 | -   |
| 9    | 1    | STICKER MULTIFASTER SICURA SX         | ET011          |     |
| 8    | 1    | SPINA X TAPPO AUTOMATICO P2           | 48200010004000 |     |
| 7    | 1    | PULS SIC DELRIN ROSSO UV RES NEW      | 48300252000000 |     |
| 6    | 1    | SICURA NUOVA X PIASTRA P5, ECC.       | SICURA P5      |     |
| 5    | 1    | MOLLA SICURA PIASTRE P5               | 48300700000001 |     |
| 4    | 1    | NOTTOLINO SICURA P5 STAMPATO A FREDDO | 48300220000011 |     |
| 3    | 1    | BOCCOLA X NOTTOLINO SICURA P5         | 48300251000000 |     |
| 2    | 1    | MOLLA DESTRA X SUPPORTI/PB06 AISI     | 48300010005301 |     |
| 1    | 1    | MOLLA SINISTRA X SUPPORTI/PB06 AISI   | 48300010005300 |     |
| PDS. |      |                                       |                |     |

**Faster**

RIVOLTA D'ADDA-CR-ITALY

THIS DRAWING IS EXCLUSIVE PROPERTY OF FASTER S.p.A  
ANY UNAUTHORIZED COPY AND/OR USE ARE STRICTLY PROHIBITED.

|       |                  |   |           |                         |                        |
|-------|------------------|---|-----------|-------------------------|------------------------|
| DRAWN | CONFIGURATOR     | GENERAL TOLERANCES (UNLESS OTHERWISE SPECIFIED):<br>LINEAR DIMENSIONS: ±0.1<br>ANGULAR DIMENSIONS: ±1°<br>RADIUS AND CHAMFER: ±0.05<br>SHARP EDGES NOT DIMENSIONED;<br>RADIUS OR CHAMFER MAX. 0.2 |           | DESCRIPTION             | MULTIFASTER FIXED PART |
| DATE  | 18/02/2022       |   |           | PART NUMBER :           | MF-P506-1 F-003695-F   |
| SIZE  | A2               | DIMENSION   | SYMBOL    |                         |                        |
|       | DIM. MILLIMETERS | CRITICAL  | ⊕         |                         |                        |
|       |                  | IMPORTANT   | ⊕         | DRAWING N°              | REVISION               |
|       |                  | SECONDARY   | NO SYMBOL | DB_MF-P506-1 F-003695-F | A   0                  |