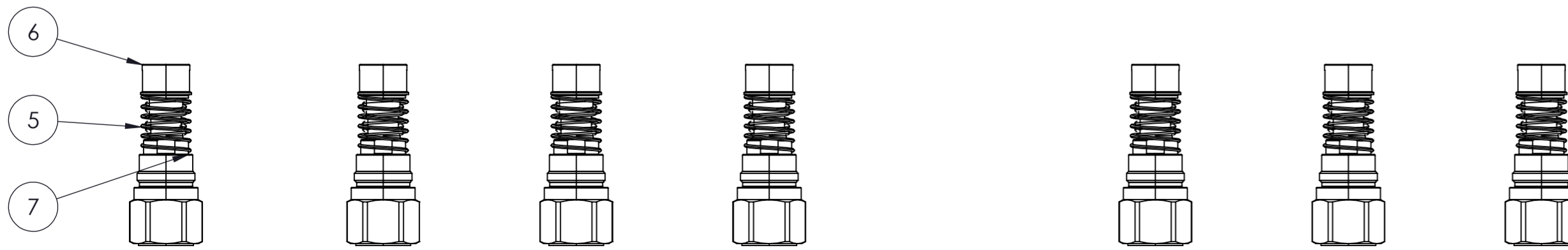
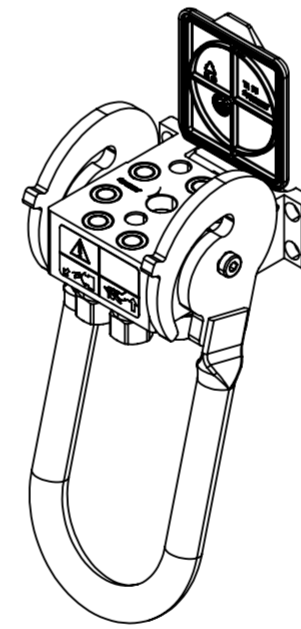
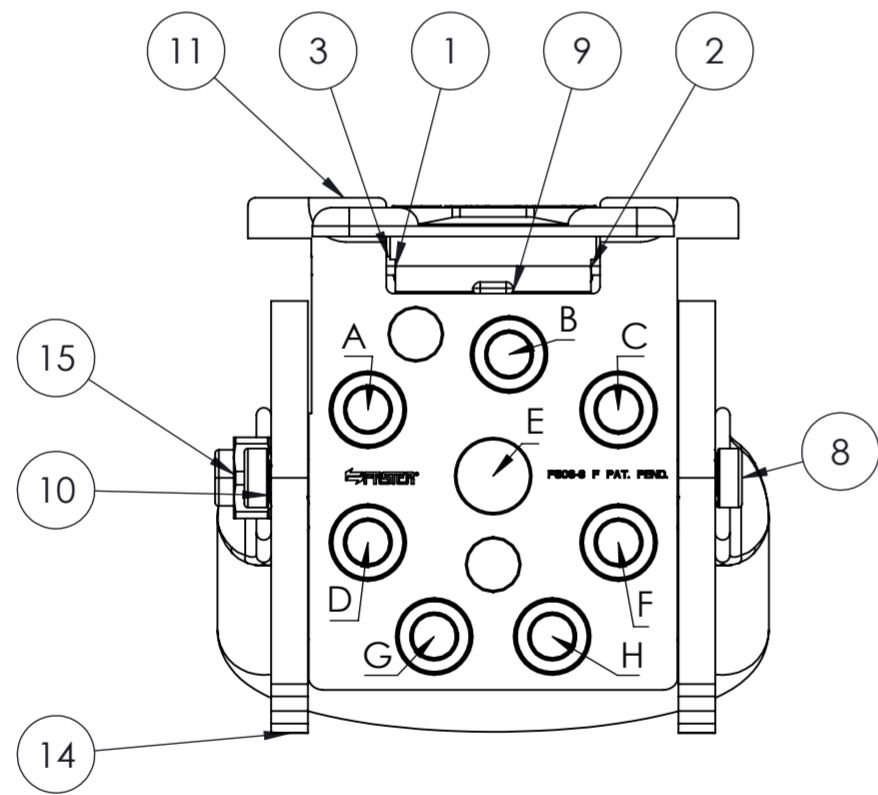
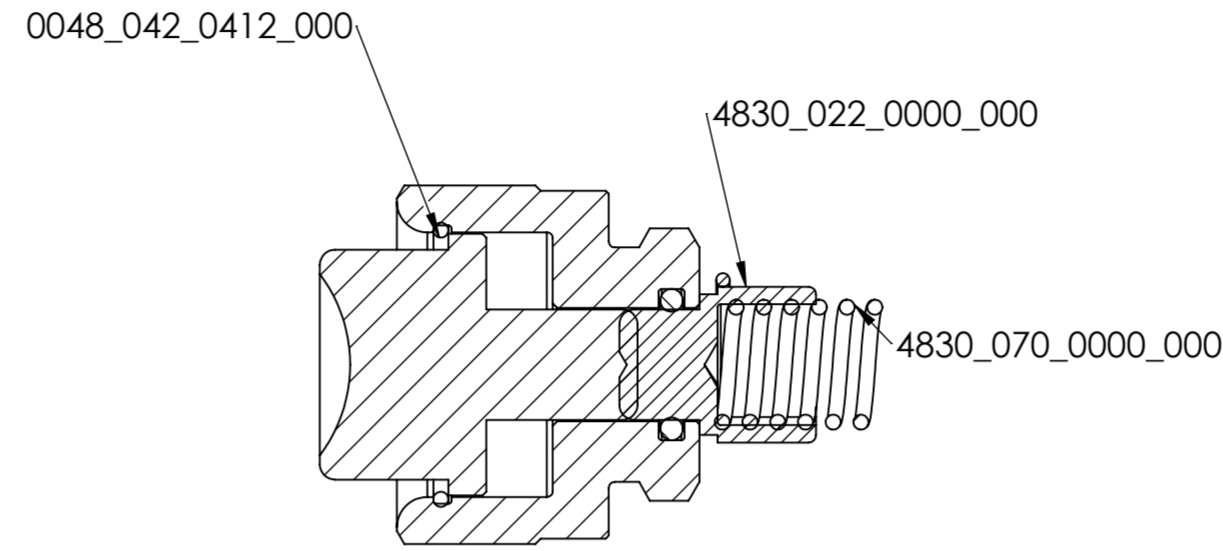
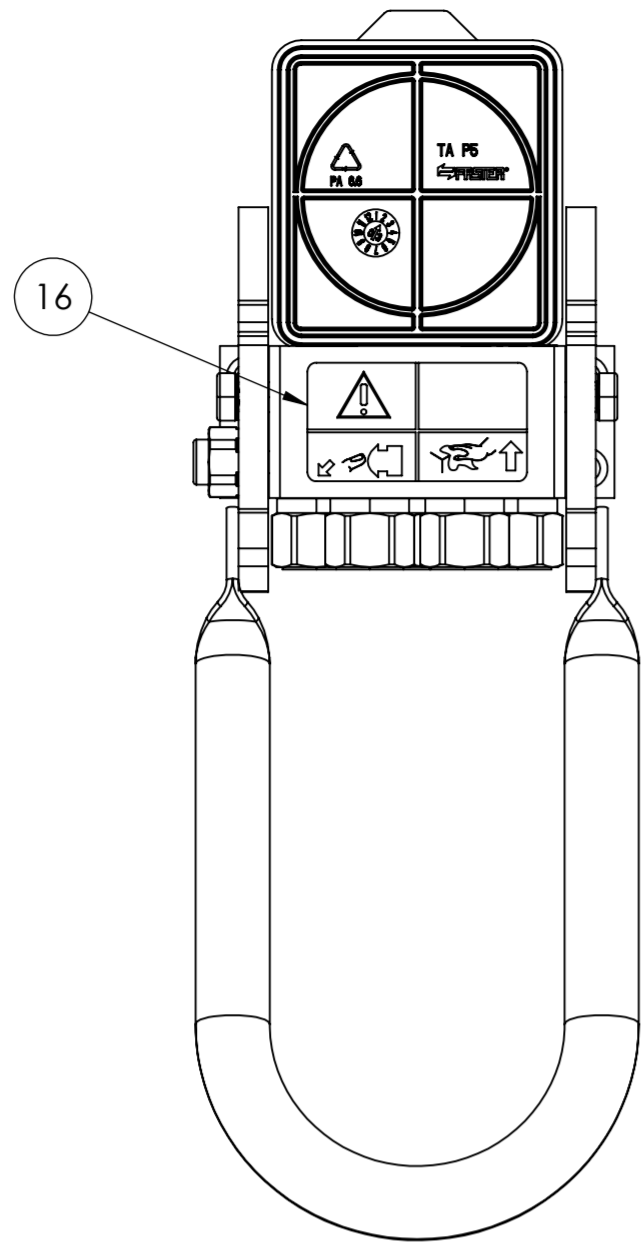


FOR NOT SPECIFIED
TIGHTENING TORQUES
SEE NPF 086



POS.	Q.TY	DESCRIPTION	DRAWING N°	HEX
16	1	STICKER MULTIFASTER SICURA SX	ET011	
15	1	SICURA PER PIASTRA	SICURA	
14	1	ASSIEME LEVA P508	48300245000000	
13	1	MOLLA SICURA PIASTRE P4 (KIT SP5)	48300700000000	
12	1	NOTTOLINO SICURA SP4	48300220000000	
11	1	PIASTRA FISSA P506-8 F	48500200000000	
10	2	ANELLO DI COMPENSAZIONE	00483171000000	
9	1	TAPPO MULTIFASTER P506	48100010001014	
8	2	VITE M8X30,5 DEFORMATA A FREDDO	48300133000030	
7	7	GRUPPO INTERNO 06 PER PIASTRA	2FFNB38-12GASF	27
6	7	CURSORE ESTERNO 2FFNB38	41320140000000	
5	7	MOLLA CURSORE ESTERNO FFH 06	41320720000300	-
4	1	ANELLO ELASTICO INTERNO 1/4"	02014150	
3	1	SPINA X TAPPO AUTOMATICO P2	48200010004000	
2	1	MOLLA DESTRA X SUPPORTI/PB06 AISI	48300010005301	
1	1	MOLLA SINISTRA X SUPPORTI/PB06 AISI	48300010005300	

Faster

RIVOLTA D'ADDA-CR-ITALY

THIS DRAWING IS EXCLUSIVE PROPERTY OF FASTER S.p.A
ANY UNAUTHORIZED COPY AND/OR USE ARE STRICTLY PROHIBITED.

DRAWN	CONFIGURATOR	GENERAL TOLERANCES (UNLESS OTHERWISE SPECIFIED): LINEAR DIMENSIONS '0.1' ANGULAR DIMENSIONS '1+' RADIUS AND CHAMFER '0.05' SHARP EDGES NOT DIMENSIONED; RADIUS OR CHAMFER MAX. 0.2		DESCRIPTION	MULTIFASTER FIXED PART
DATE	22/10/2021			PART NUMBER :	MF-P5068 F-004181-F
SIZE	A2	DIMENSION	SYMBOL		
		DIM. MILLIMETERS	CRITICAL		
			IMPORTANT		
			SECONDARY	DRAWING N°	REVISION
				DB_MF-P5068 F-004181-F	A 10