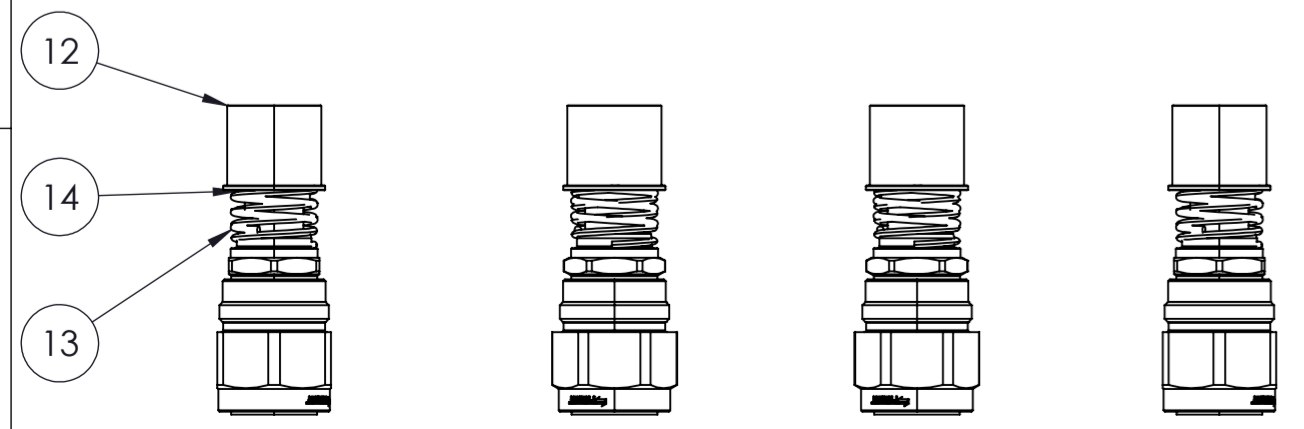
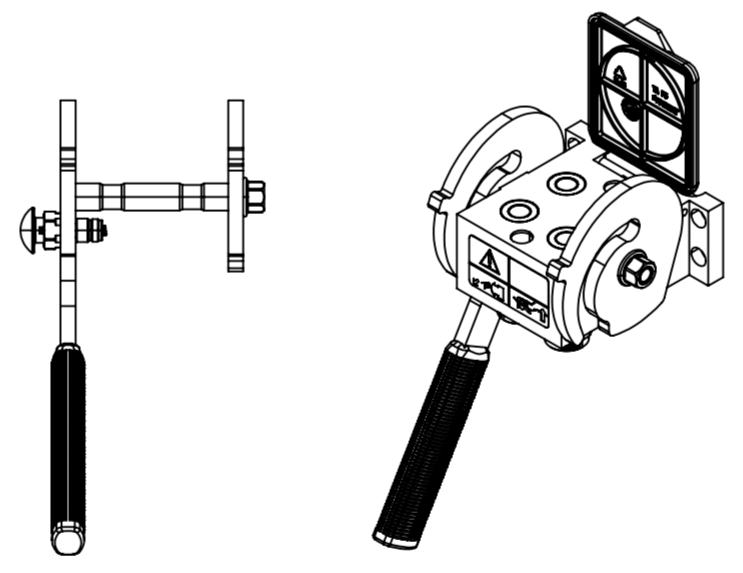
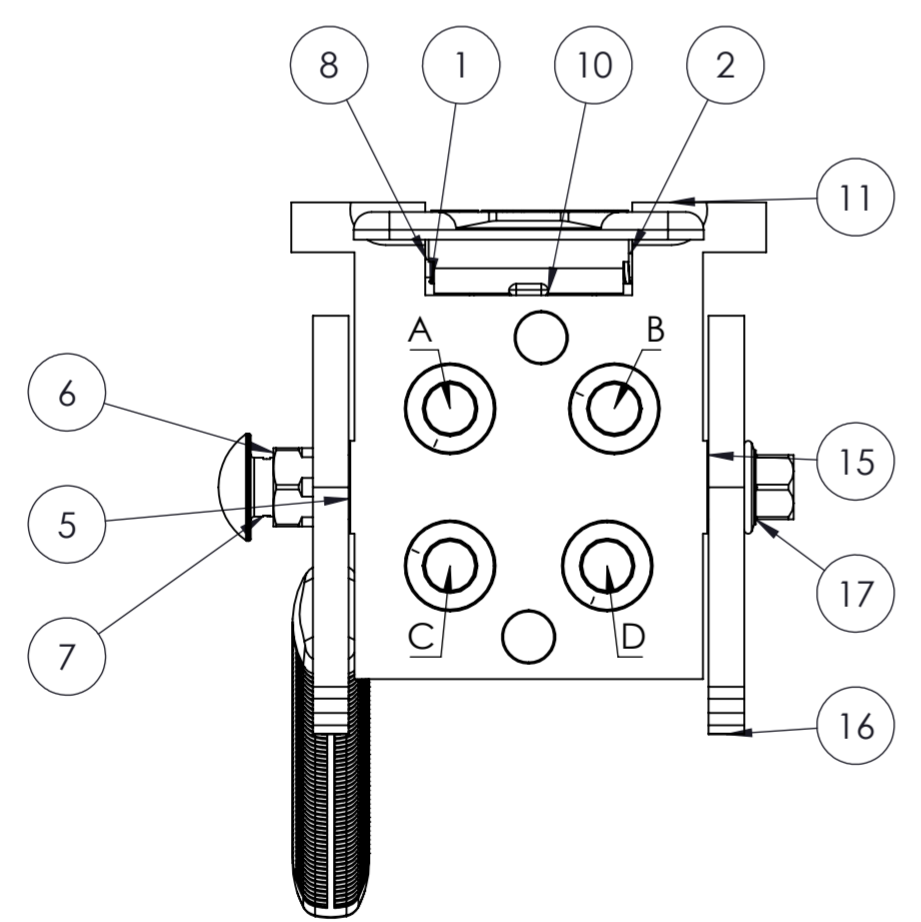
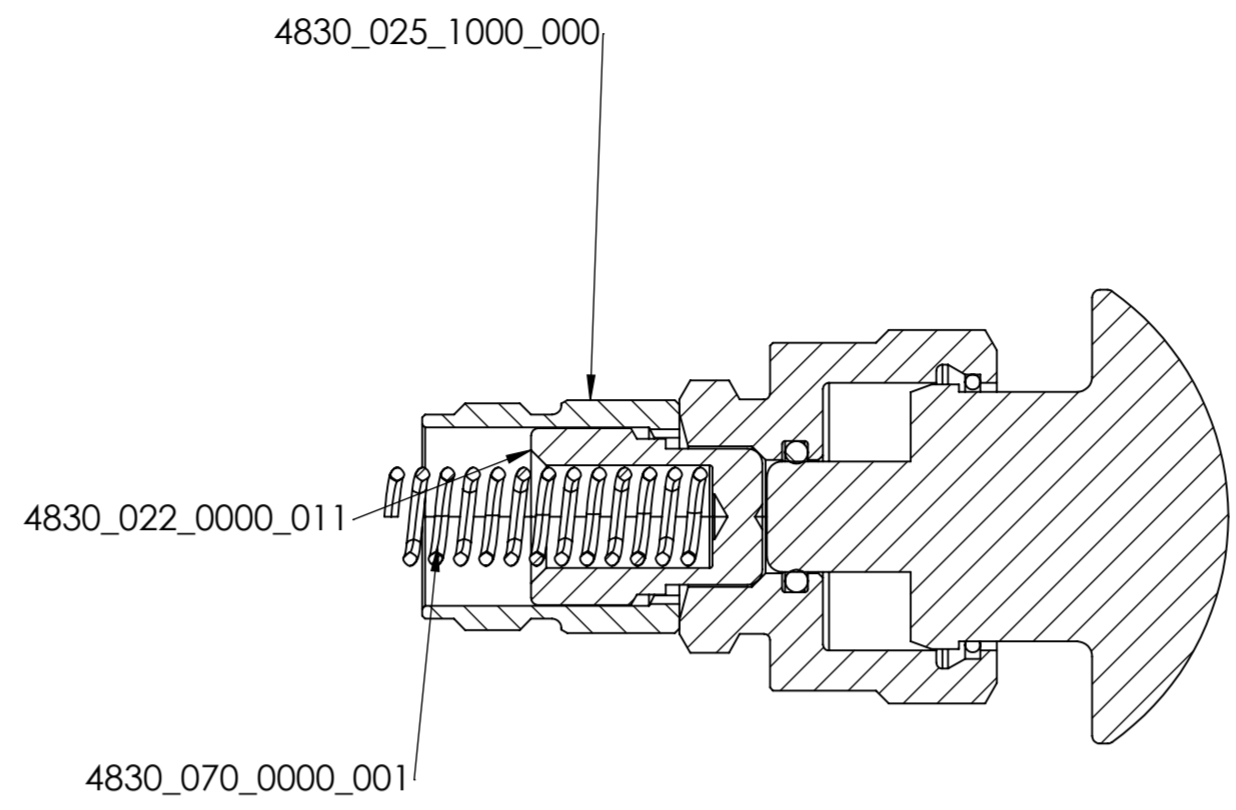
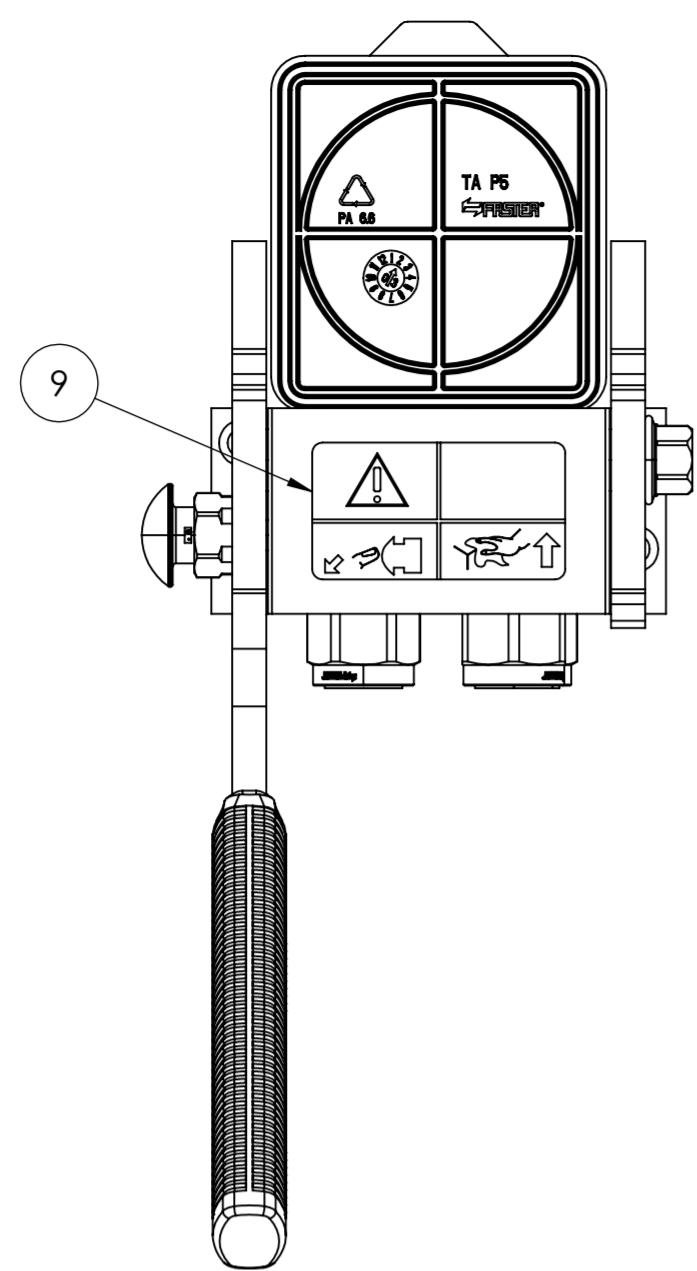


FOR NOT SPECIFIED
TIGHTENING TORQUES
SEE NPF 086

LUBRICATE WITH " MOLY-TEF "
THE COMPONENT :N° 12



POS.	Q.TY	DESCRIPTION	DRAWING N°	HEX
17	1	DADO AUTOBLOCCANTE M12 ISO 7044	15400800012000	
16	1	CAMMA SING X LEV COST 508/608/808	48700231001000	
15	1	ASSIEME LEVA COSTAMP P508 SX SIC SX	48700251001000	
14	4	FEMMINA X BLOCCO 2FFNB13	2FFNB12 GAS F	30
13	4	MOLLA CURSDRE ESTERNO 2FFN12..F AI	41420721000300	
12	4	CURSDRE ESTERNO 2FFNB12 ACCIAIO	43400140000000	
11	1	PIAS.FISSA 3P508 ALB.PASS.DOP.SIC	48300200000024	
10	1	TAPPO MULTIFASTER P506	48100010001014	
9	1	STICKER MULTIFASTER SICURA SX	ET011	
8	1	SPINA X TAPPO AUTOMATICO P2	48200010004000	
7	1	PULS SIC DELRIN ROSSO UV RES NEW	48300252000000	
6	1	SICURA NUOVA X PIASTRA P5, ECC.	SICURA P5	
5	1	MOLLA SICURA PIASTRE P5	48300700000001	
4	1	NOTTOLINO SICURA P5 STAMPATO A FREDDO	48300220000011	
3	1	BOCCOLA X NOTTOLINO SICURA P5	48300251000000	
2	1	MOLLA DESTRA X SUPPORTI/PB06 AISI	48300010005301	
1	1	MOLLA SINISTRA X SUPPORTI/PB06 AISI	48300010005300	

RIVOLTA D'ADDA-CR-ITALY

THIS DRAWING IS EXCLUSIVE PROPERTY OF FASTER S.p.A
ANY UNAUTHORIZED COPY AND/OR USE ARE STRICTLY PROHIBITED.

DRAWN	CONFIGURATOR	GENERAL TOLERANCES (UNLESS OTHERWISE SPECIFIED): LINEAR DIMENSIONS: 0.1 ANGULAR DIMENSIONS: 1+ RADIUS AND CHAMFER: 0.05 SHARP EDGES NOT DIMENSIONED; RADIUS OR CHAMFER MAX. 0.2	DESCRIPTION
DATE	28/09/2021		MULTIFASTER FIXED PART
SIZE	A2	DIMENSION	PART NUMBER :
	DIM. MILLIMETERS	CRITICAL	MF-P508 A F-000635-F
		IMPORTANT	DRAWING N°
		SECONDARY	DB_MF-P508 A F-000635-F
			REVISION
			A 0