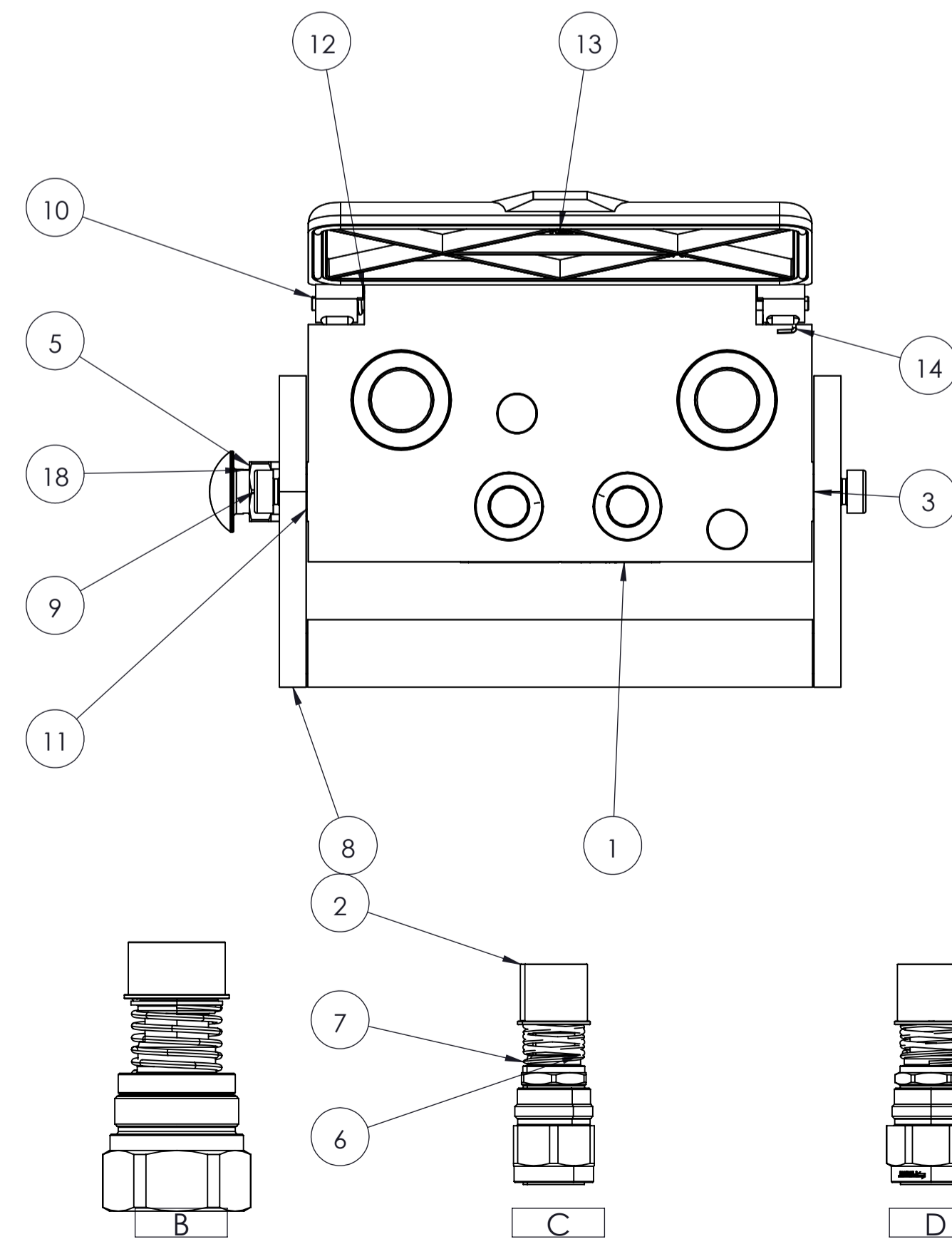
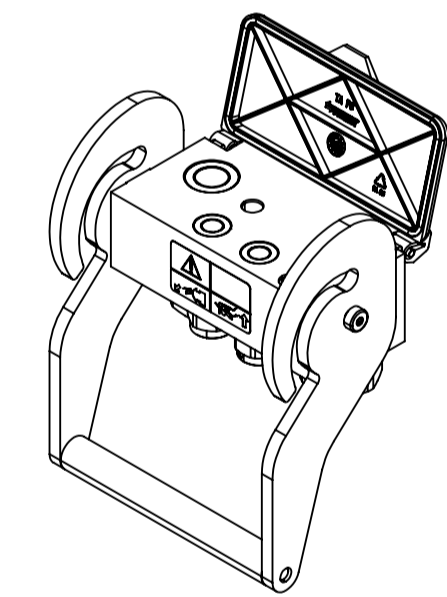
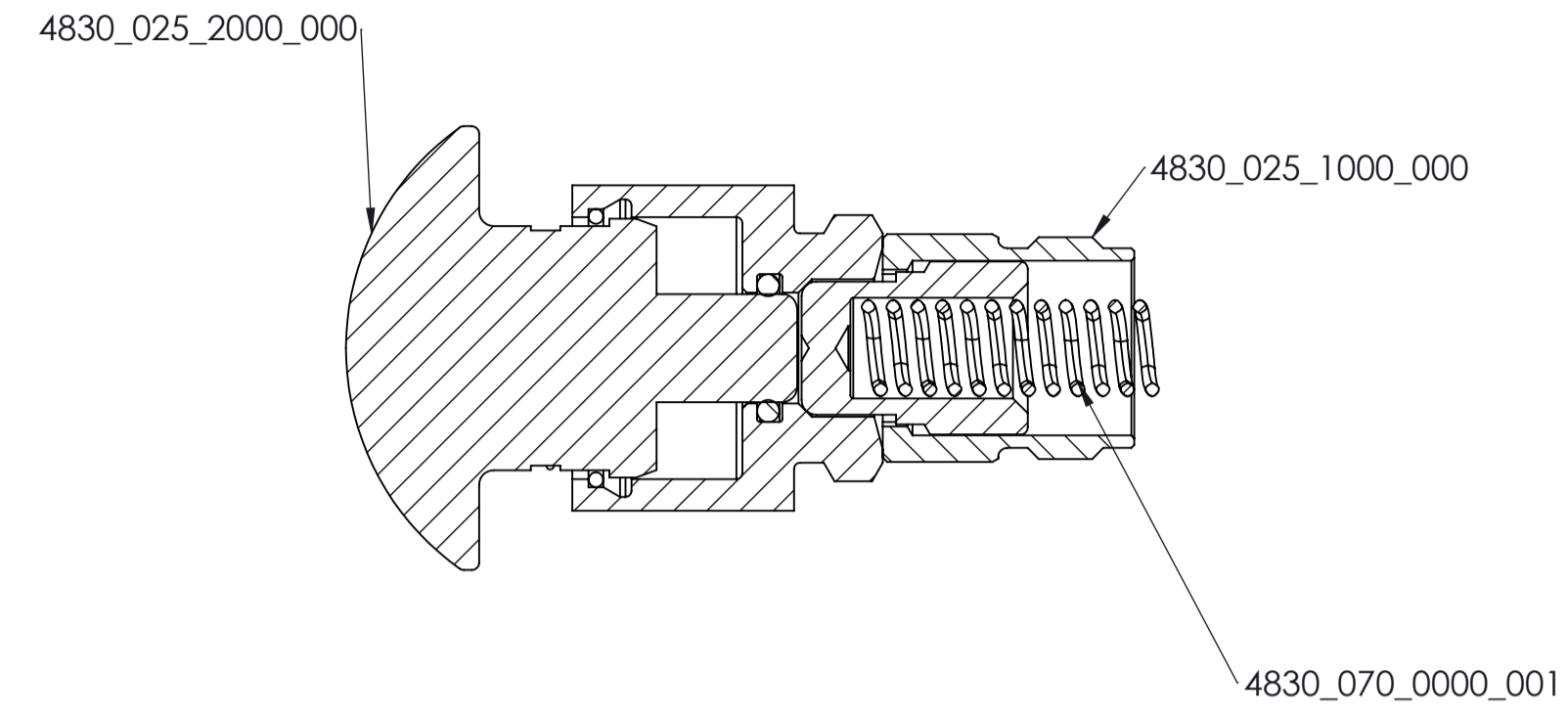
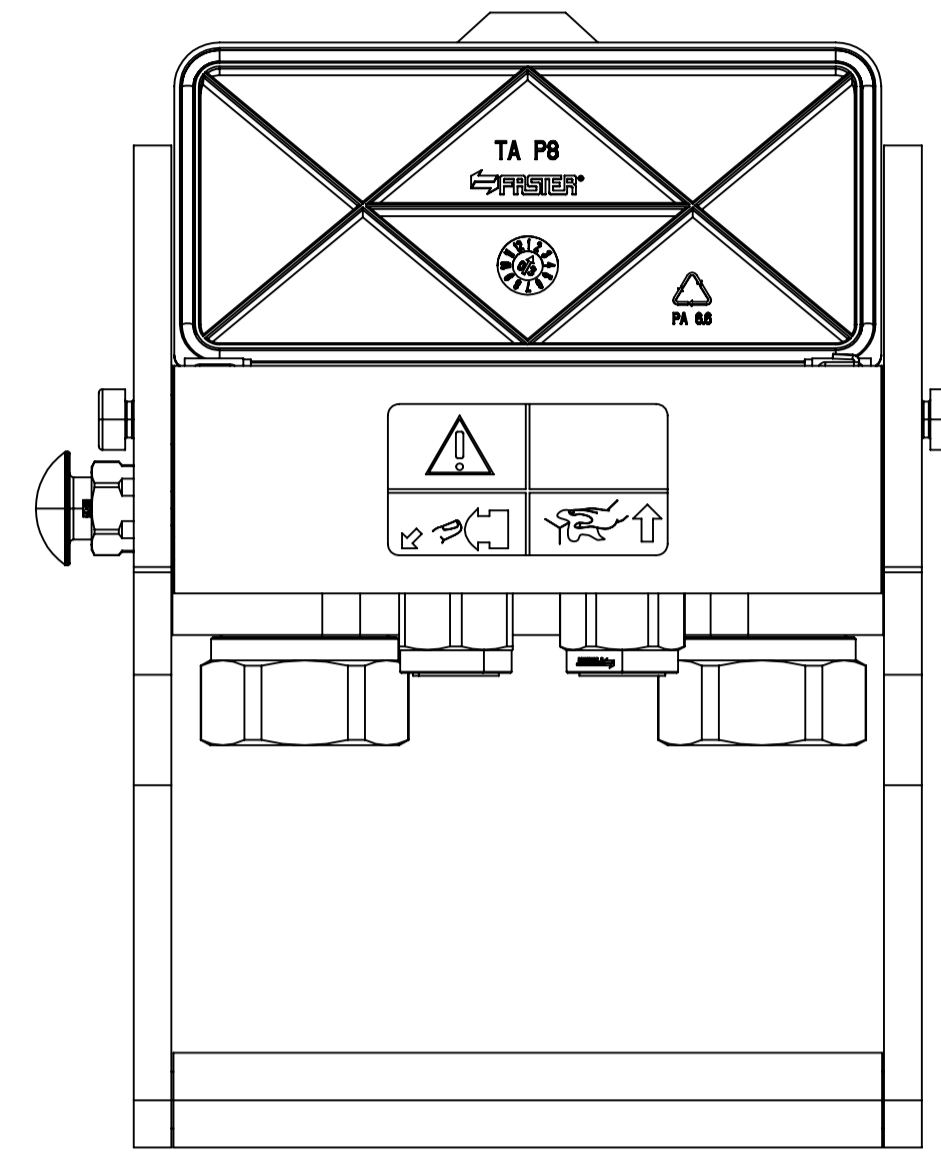


FOR NOT SPECIFIED
TIGHTENING TORQUES
SEE NPF 086



18	1	PULS SIC DELRIN ROSSO UV RES NEW	48300252000000	
17	1	NOTTOLINO SICURA P5 STAMPATO A FREDDO	48300220000011	
16	1	MOLLA SICURA PIASTRE P5	48300700000001	
15	1	BOCOLA X NOTTOLINO SICURA P5	48300251000000	
14	1	MOLLA SINISTRA X SUPPORTI/PB06 AISI	48300010005300	
13	1	TAPPO MULTIFASTER P808	48500010001005	
12	1	MOLLA DESTRA X SUPPORTI/PB06 AISI	48300010005301	
11	2	RONDELLA DISTANZIALE P10A	48500500000000	
10	2	SPINA X TAPPO AUTOMATICO P6	48300010004000	
9	2	VITE PER PIASTRA P116	48600130000000	
8	1	ASSIEME LEVA P316	48600240002000	
7	2	FEMMINA X BLOCCO 2FFNB13	2FFNB12 GAS F	30
6	2	MOLLA CURSORE ESTERNO 2FFN12..F AI	41420721000300	
5	1	SICURA NUOVA X PIASTRA P5.ECC.	SICURA P5	
4	2	FEMMINA X BLOCCO 2FFNB1	2FFNB1 GAS F	50
3	1	PIASTRA FISSA P4A	48600200003000	
2	2	CURSORE ESTERNO 2FFNB12 ACCIAIO	43400140000000	
1	1	STICKER MULTIFASTER SICURA SX	ET011	
PDS.	Q.TY	DESCRIPTION	DRAWING N°	HEX

Faster
RIVOLTA D'ADDA-CR-ITALY

THIS DRAWING IS EXCLUSIVE PROPERTY OF FASTER S.p.A.
ANY UNAUTHORIZED COPY AND/OR USE ARE STRICTLY PROHIBITED.

DRAWN	CONFIGURATOR	GENERAL TOLERANCES (UNLESS OTHERWISE SPECIFIED) LINEAR DIMENSIONS ±0.1 ANGULAR DIMENSIONS ±1° RADIUS AND CHAMFER ±0.05 SHARP EDGES NOT DIMENSIONED RADIUS OR CHAMFER MAX. 0.2	DESCRIPTION MULTIFASTER FIXED PART
DATE	24/09/2021		
SIZE	A1	DIMENSION	PART NUMBER
		CRITICAL	MF-P4A F-001420-F
		IMPORTANT	DRAWING N°
		SECONDARY	DB_MF-P4A F-001420-F
			REVISION
			A 0