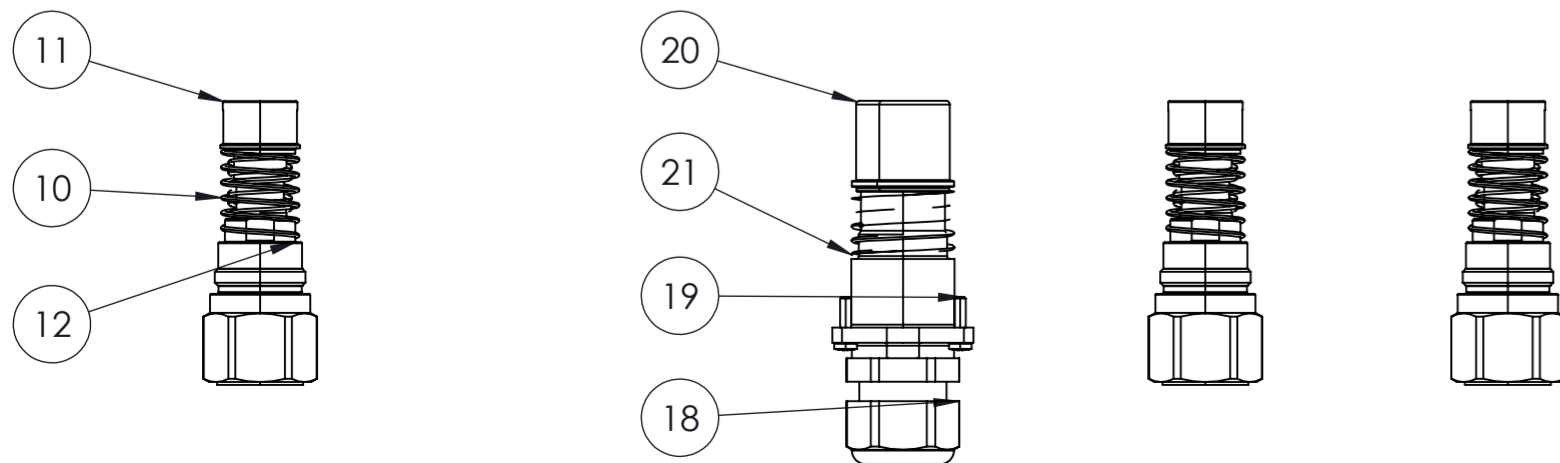
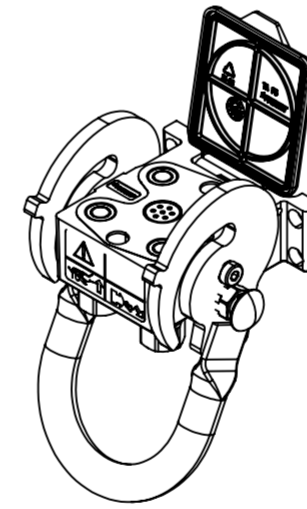
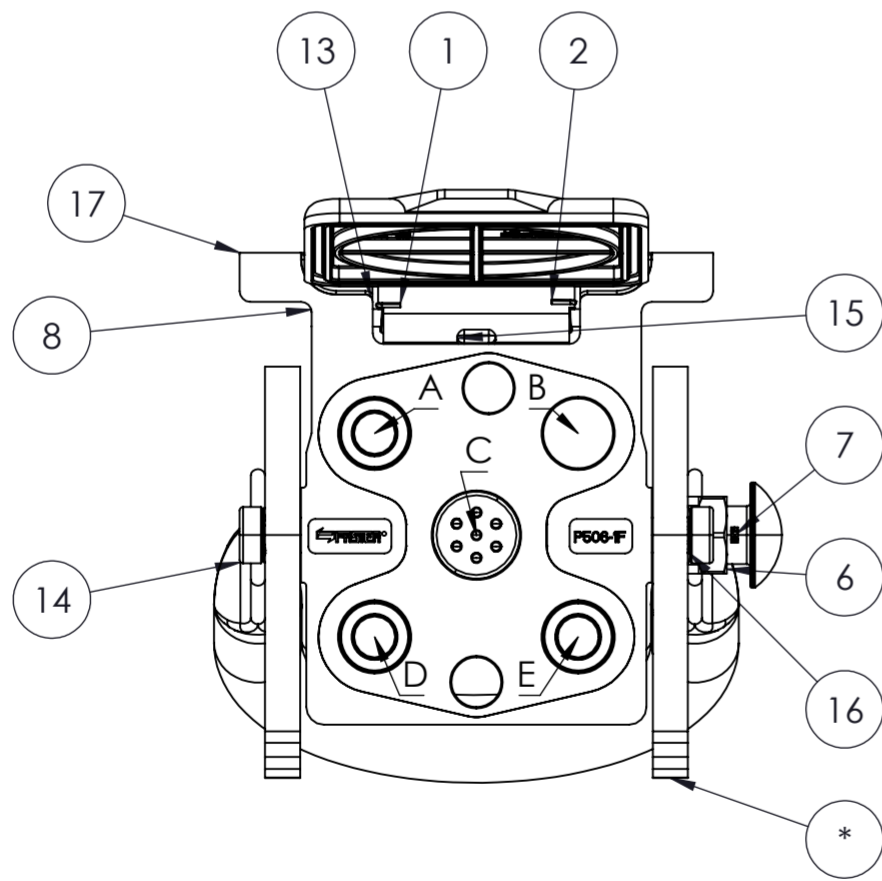
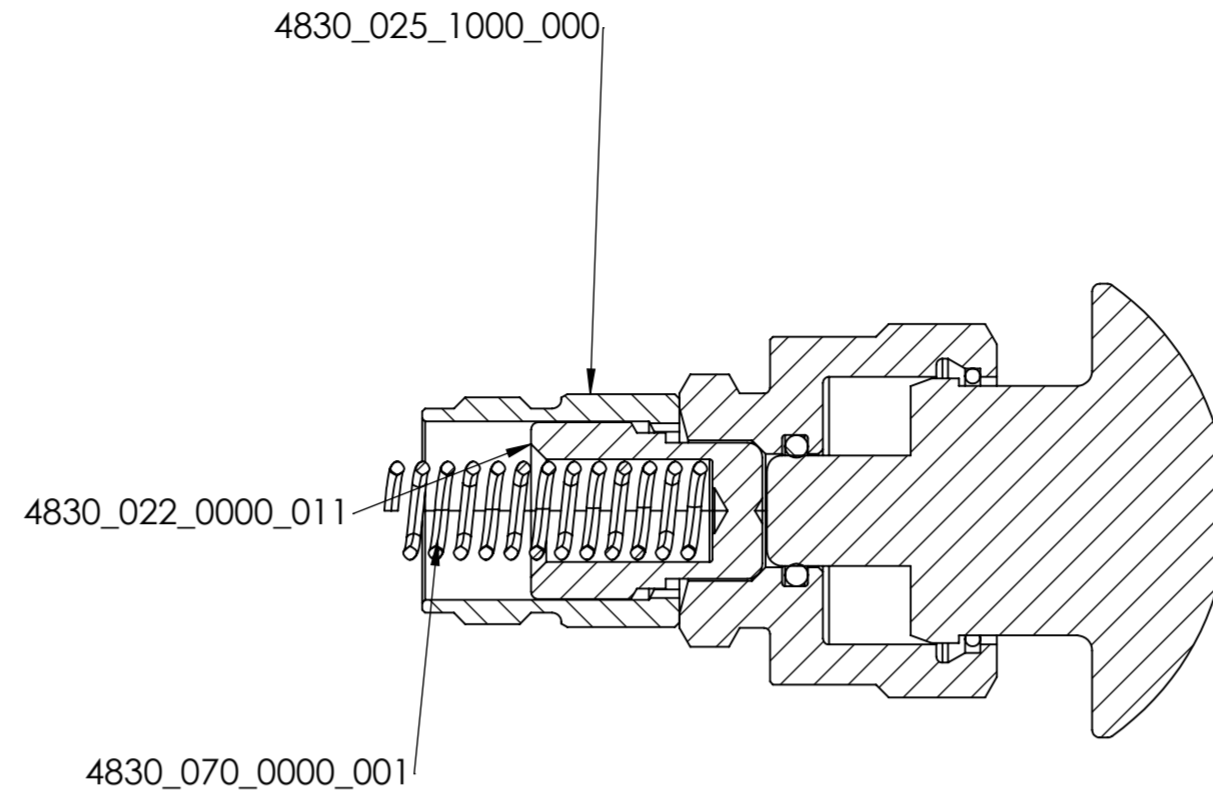
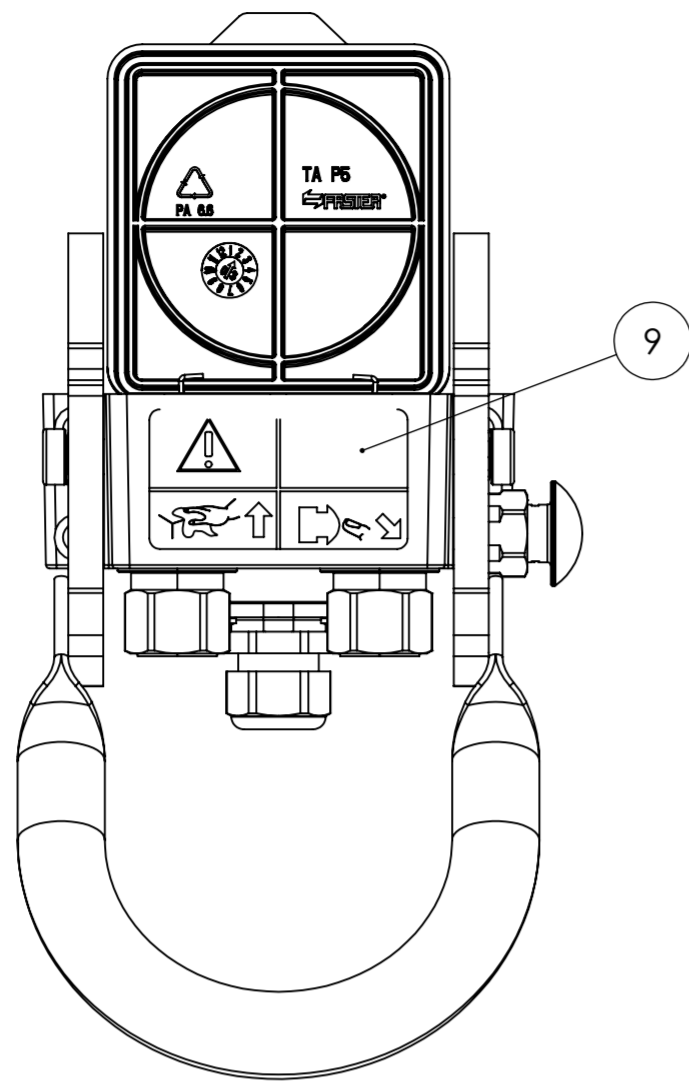


FOR NOT SPECIFIED
TIGHTENING TORQUES
SEE NPF 086



| POS. | Q.TY | DESCRIPTION | DRAWING N° | HEX |
|------|------|---------------------------------------|----------------|-----|
| 21 | 1 | MOLLA CURSORE ESTERNO FFH 08 | 42410720000200 | |
| 20 | 1 | CURSORE SPINA ELETTRICA BASE 08 7 | 48500070000000 | |
| 19 | 3 | VITI AUTOFIL.TRILOBATE M3X12 CROCE | 48300440000000 | |
| 18 | 1 | SP.EL.BASE08-7 POLI X P.FISSA | CORSPEL08-7 F | |
| 17 | 1 | ASSIEME LEVA P506-1 CORTA SIC DX | 48300244001001 | |
| 16 | 2 | ANELLO DI COMPENSAZIONE | 00483171000000 | |
| 15 | 1 | TAPPO MULTIFASTER P506 | 48100010001014 | |
| 14 | 2 | VITE M8X30,5 DEFORMATA A FREDDO | 48300133000030 | |
| 13 | 1 | PIASTRA F P506-1 (FINITA) PRES-FUSA | 48320204001000 | |
| 12 | 3 | GRUPPO INTERNO 06 PER PIASTRA | 2FFNB38-12GASF | 27 |
| 11 | 3 | CURSORE ESTERNO 2FFNB38 | 41320140000000 | |
| 10 | 3 | MOLLA CURSORE ESTERNO FFH 06 | 41320720000300 | - |
| 9 | 1 | STICKER MULTIFASTER SICURA DX | ET012 | |
| 8 | 1 | SPINA X TAPPO AUTOMATICO P2 | 48200010004000 | |
| 7 | 1 | PULS SIC DELRIN ROSSO UV RES NEW | 48300252000000 | |
| 6 | 1 | SICURA NUOVA X PIASTRA P5, ECC. | SICURA P5 | |
| 5 | 1 | MOLLA SICURA PIASTRE P5 | 48300700000001 | |
| 4 | 1 | NOTTOLINO SICURA P5 STAMPATO A FREDDO | 48300220000011 | |
| 3 | 1 | BOCCOLA X NOTTOLINO SICURA P5 | 48300251000000 | |
| 2 | 1 | MOLLA DESTRA X SUPPORTI/PB06 AISI | 48300010005301 | |
| 1 | 1 | MOLLA SINISTRA X SUPPORTI/PB06 AISI | 48300010005300 | |

Faster

RIVOLTA D'ADDA-CR-ITALY

THIS DRAWING IS EXCLUSIVE PROPERTY OF FASTER S.p.A.
ANY UNAUTHORIZED COPY AND/OR USE ARE STRICTLY PROHIBITED.

| | | | | | |
|-------|------------------|--|-----------|-------------------------|------------------------|
| DRAWN | CONFIGURATOR | GENERAL TOLERANCES (UNLESS OTHERWISE SPECIFIED): LINEAR DIMENSIONS: 0.1 ANGULAR DIMENSIONS: 1° RADIUS AND CHAMFER: 0.05 SHARP EDGES NOT DIMENSIONED; RADIUS OR CHAMFER MAX. 0.2 | | DESCRIPTION | MULTIFASTER FIXED PART |
| DATE | 28/06/2021 | | | PART NUMBER: | MF-P506-1 F-003972-F |
| SIZE | A2 | DIMENSION | SYMBOL | | |
| | DIM. MILLIMETERS | CRITICAL | ⊕ | | |
| | | IMPORTANT | ⊕ | DRAWING N° | REVISION |
| | | SECONDARY | NO SYMBOL | DB_MF-P506-1 F-003972-F | A 10 |