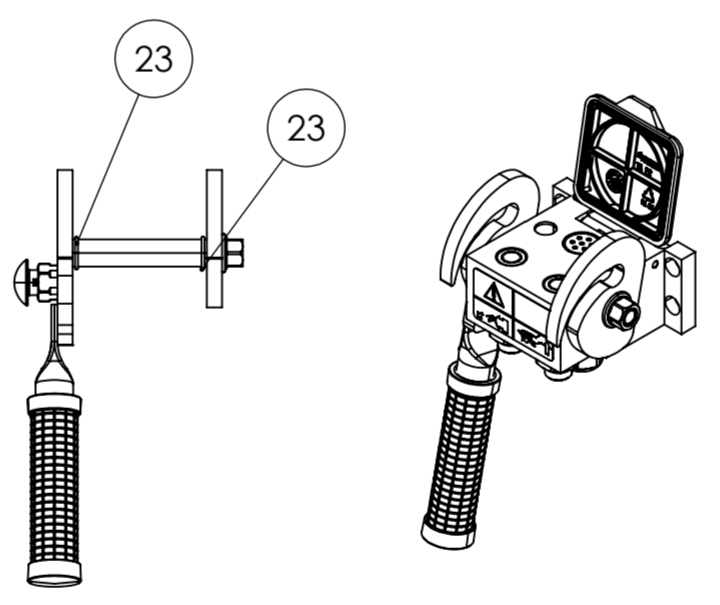
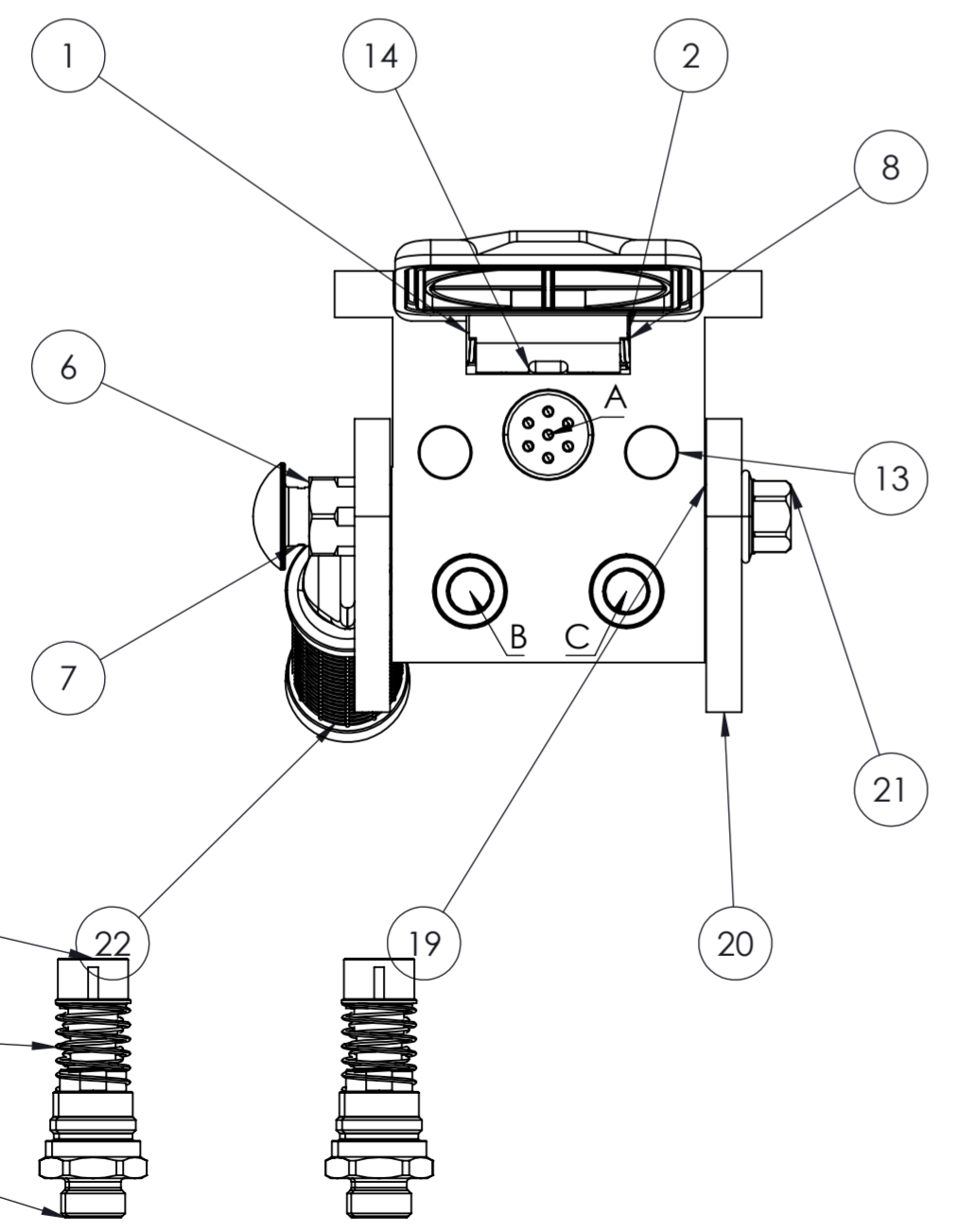
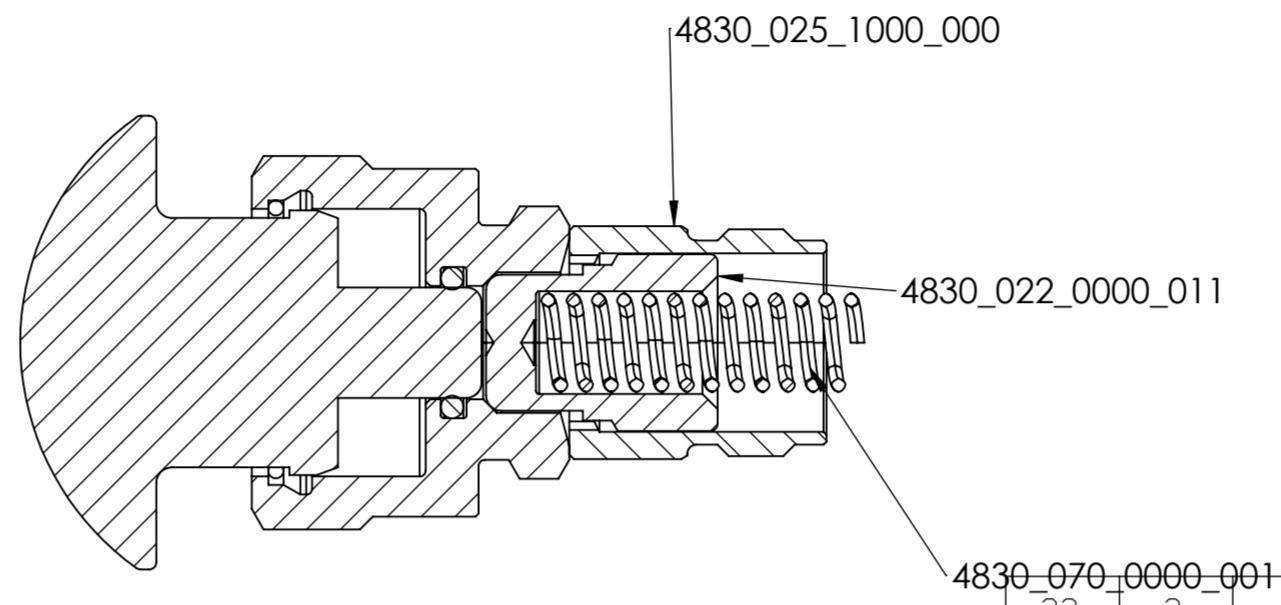
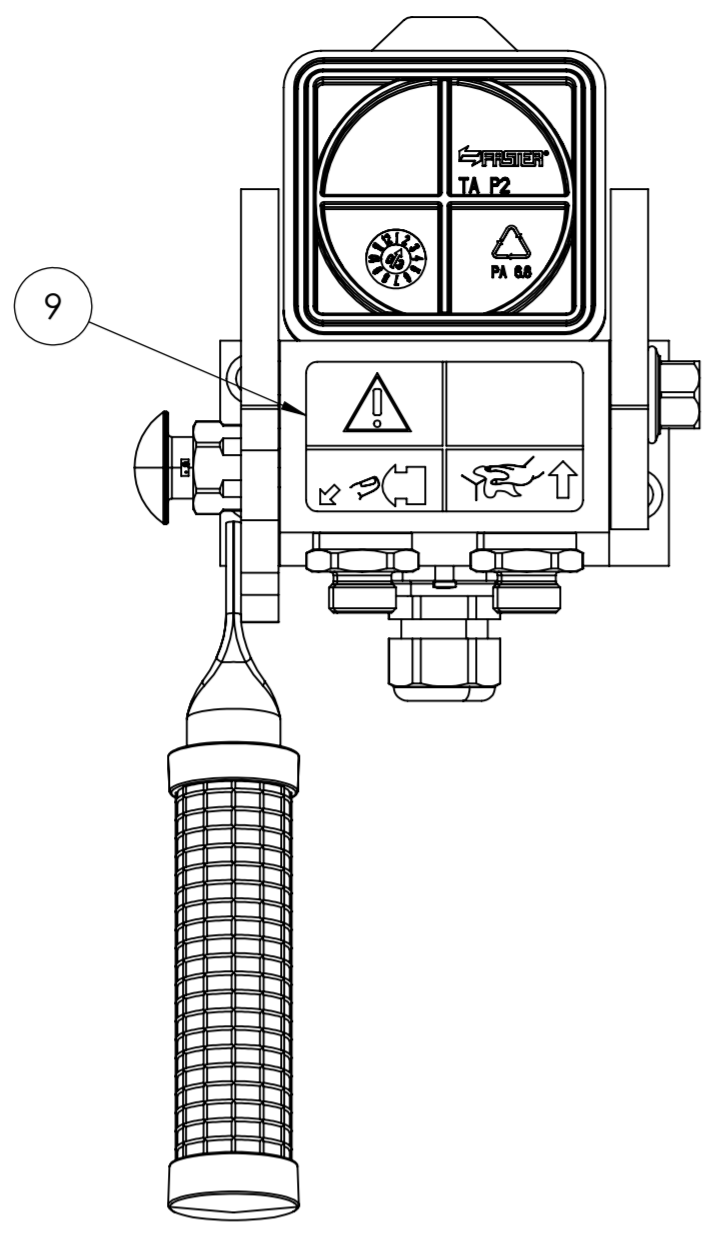


FOR NOT SPECIFIED  
TIGHTENING TORQUES  
SEE NPF 086

LUBRICATE WITH " MOLY-TEF "  
THE COMPONENT : N° 23



POS.	Q.TY	DESCRIPTION	DRAWING N°	HEX
23	2	OR NITRILE 80° SHORE	OR 2x18	
22	1	MANDPOLA MULTIFASTER 25 MM. TONDA	48500240000012	
21	1	DADD AUTOBLOCCANTE M12 ISO 7044	15400800012000	
20	1	CAMMA DESTRA/SINISTRA P208 F	48200241001020	
19	1	ASSIEME LEVA SINISTRA P208 CORTA	48200241003000	
18	1	MOLLA CURSORE ESTERNO FFH 08	42410720000200	
17	1	CURSORE SPINA ELETTRICA BASE 08 7	48500070000000	
16	3	VITI AUTOFIL.TRILOBATE M3X12 CROCE	48300440000000	
15	1	SP.EL.BASE08-7 POLI X P.FISSA	CORSPEL08-7 F	
14	1	TAPPO MULTIFASTER P208	48200010001004	
13	1	PIASTRA FISSA P306	48200200000001	
12	2	GRUPPO INTERNO 06 PER PIASTRA	2FFNB38-2/18 F	27
11	2	CURSORE ESTERNO 2FFNB38	41320140000000	
10	2	MOLLA CURSORE ESTERNO FFH 06	41320720000300	-
9	1	STICKER MULTIFASTER SICURA SX	ET011	
8	1	SPINA X TAPPO AUTOMATICO P2	48200010004000	
7	1	PULS SIC DELRIN ROSSO UV RES NEW	48300252000000	
6	1	SICURA NUOVA X PIASTRA P5, ECC.	SICURA P5	
5	1	MOLLA SICURA PIASTRE P5	48300700000001	
4	1	NOTTOLINO SICURA P5 STAMPATO A FREDDO	48300220000011	
3	1	BOCCOLA X NOTTOLINO SICURA P5	48300251000000	
2	1	MOLLA DESTRA X SUPPORTI/PB06 AISI	48300010005301	
1	1	MOLLA SINISTRA X SUPPORTI/PB06 AISI	48300010005300	

**Faster**  
RIVOLTA D'ADDA-CR-ITALY

THIS DRAWING IS EXCLUSIVE PROPERTY OF FASTER S.p.A  
ANY UNAUTHORIZED COPY AND/OR USE ARE STRICTLY PROHIBITED.

DRAWN	CONFIGURATOR	GENERAL TOLERANCES (UNLESS OTHERWISE SPECIFIED): LINEAR DIMENSIONS: 0.1 ANGULAR DIMENSIONS: 10' RADIUS AND CHAMFER: 0.05 SHARP EDGES NOT DIMENSIONED; RADIUS OR CHAMFER MAX. 0.2	DESCRIPTION
DATE	18/06/2021		MULTIFASTER FIXED PART
SIZE	A2	DIMENSION	PART NUMBER :
	DIM. MILLIMETERS	CRITICAL	MF-P306 F-003890-F
		IMPORTANT	DRAWING N°
		SECONDARY	DB_MF-P306 F-003890-F
			REVISION
			A 10

A  
B  
C  
D  
E  
F  
G

A  
B  
C  
D  
E  
F  
G